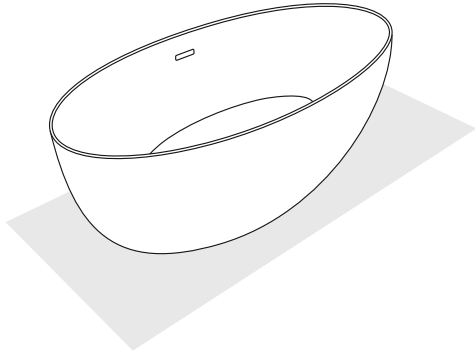


Wellsee

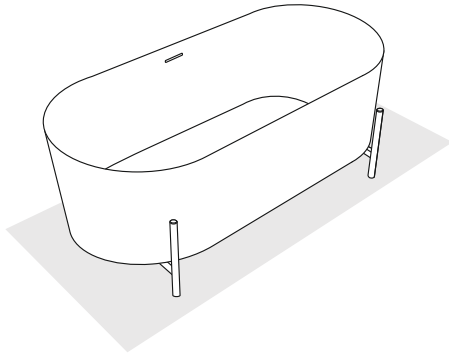
INSTRUCTION

info@wellsee.pl
wellsee.pl

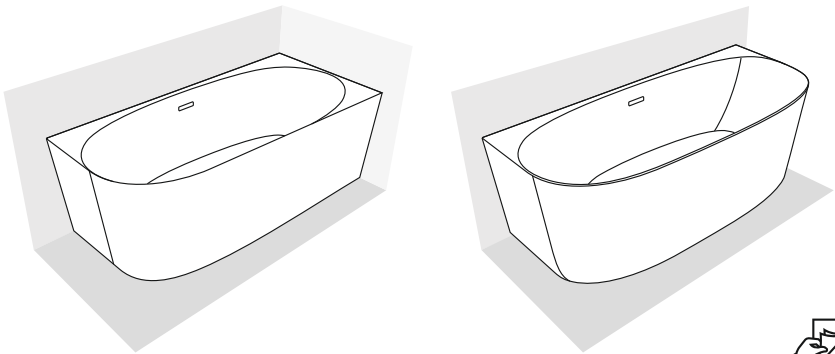
1



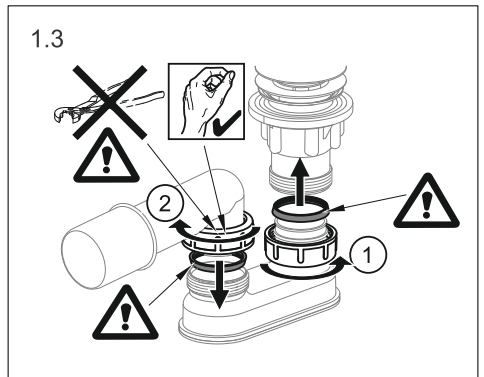
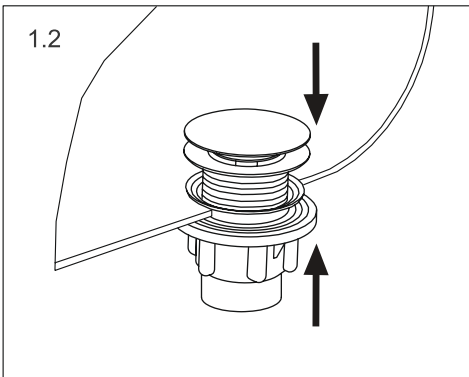
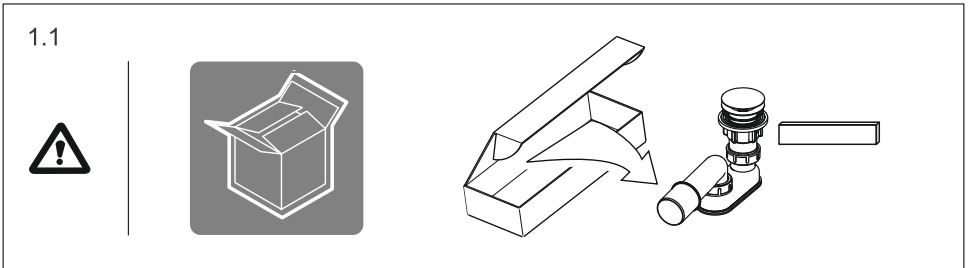
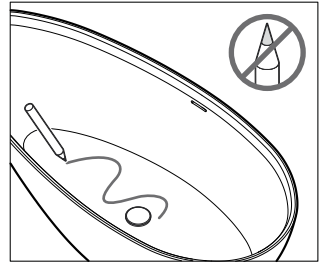
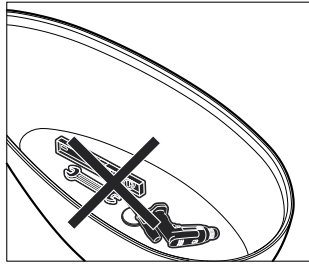
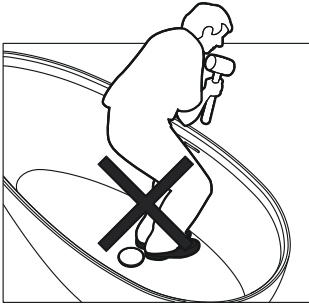
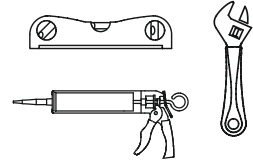
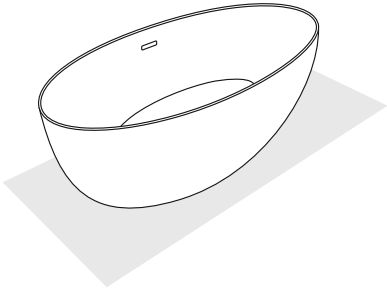
2

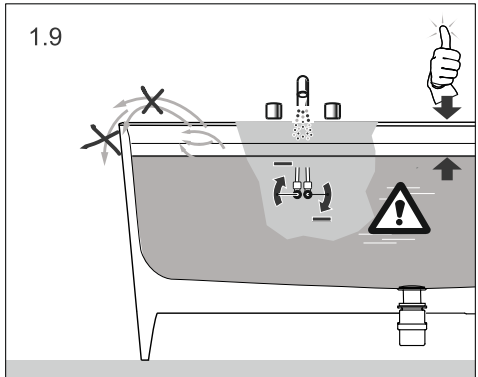
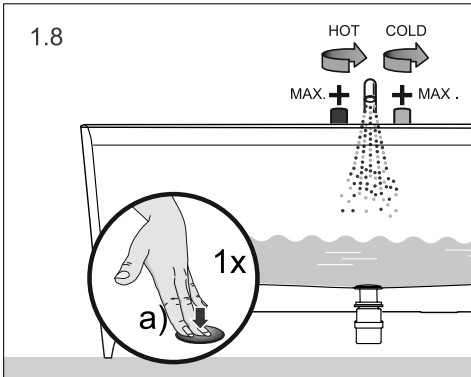
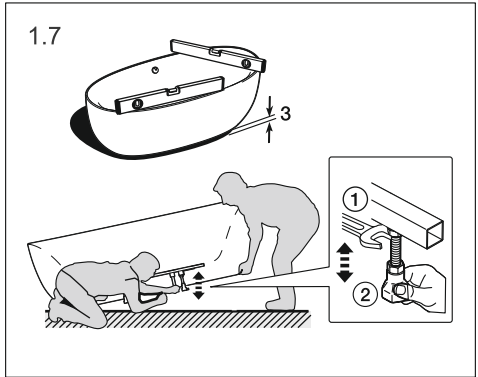
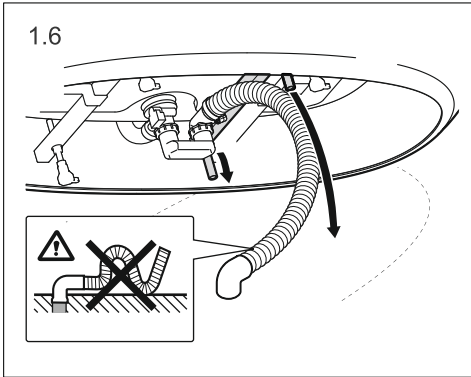
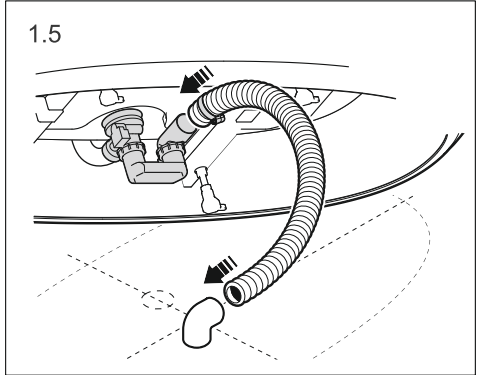
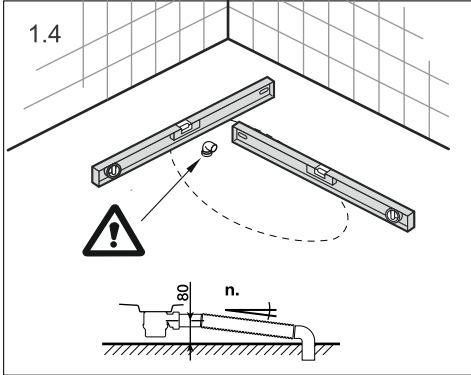
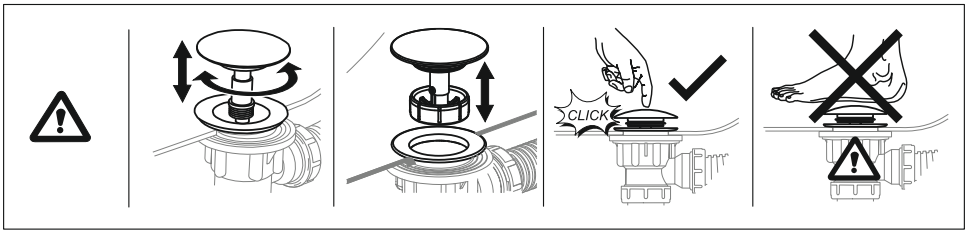


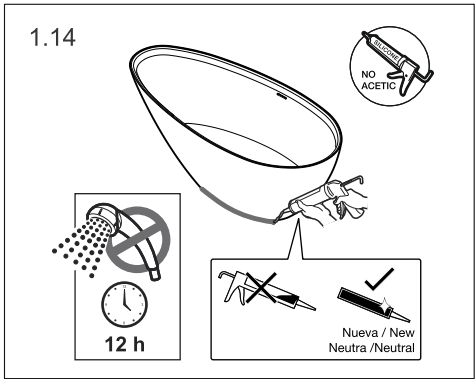
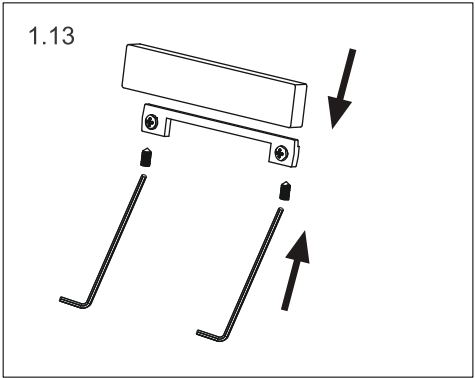
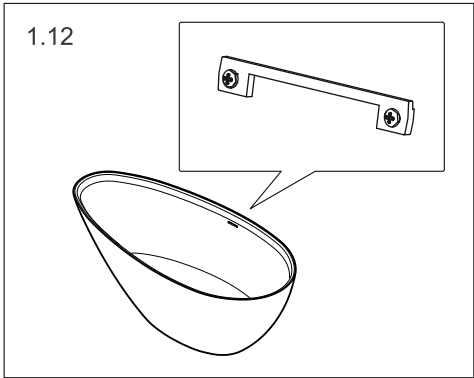
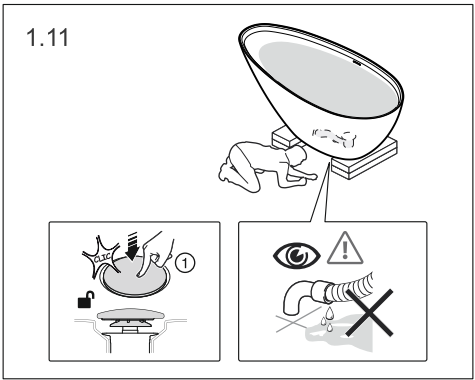
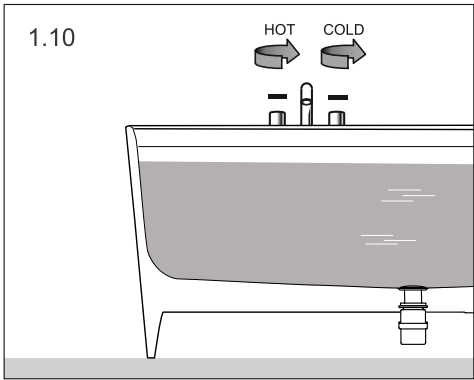
3



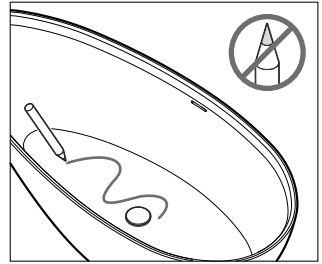
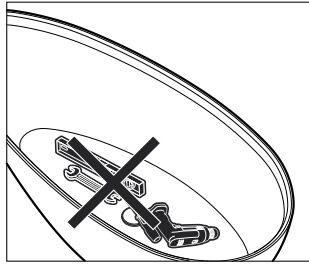
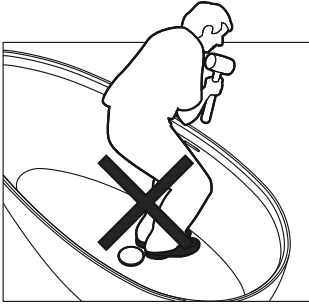
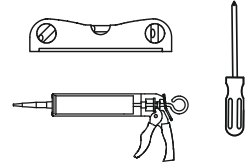
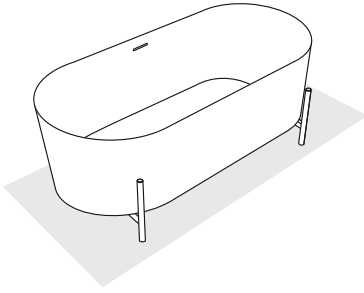
1







2



2.1

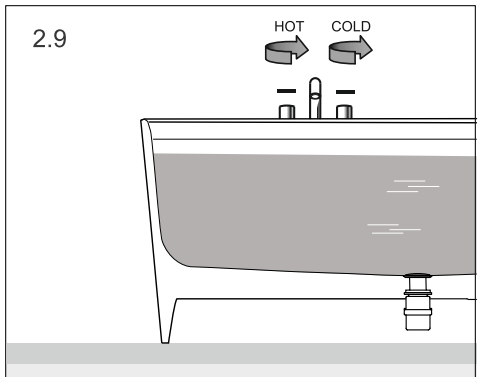
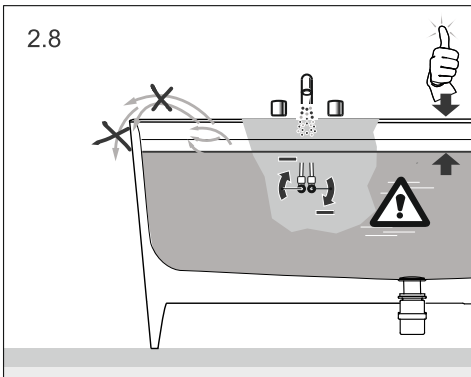
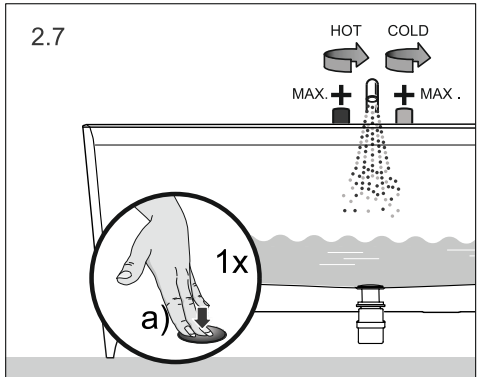
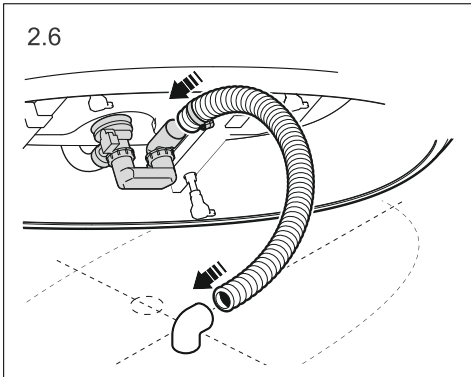
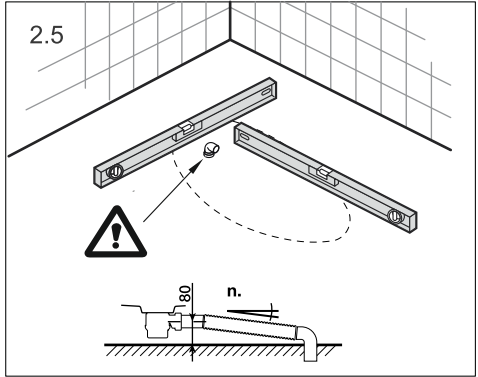
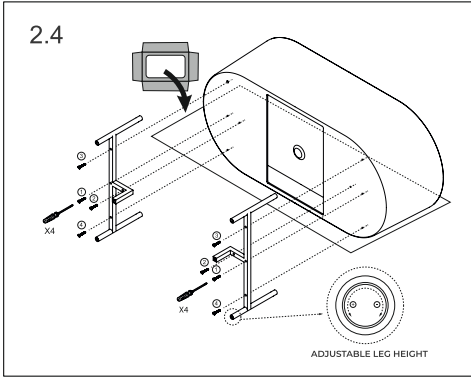
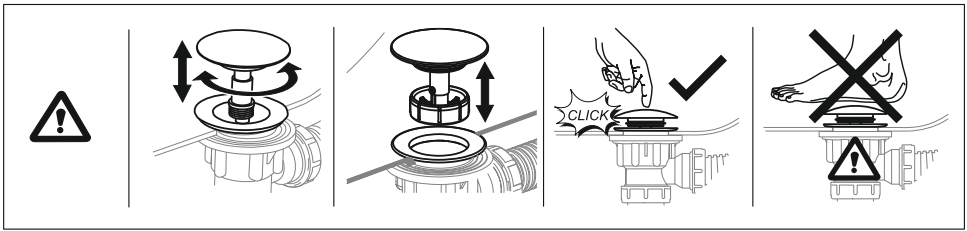
A section containing a warning icon (exclamation mark in a triangle), an icon of an open cardboard box, and an illustration of a utility knife being used to open a box. Next to it is a small cylindrical component and a thin rectangular strip.

2.2

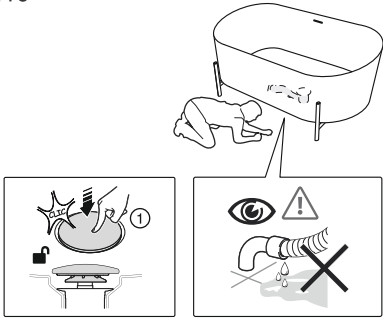
A diagram showing the tub edge being pushed down (indicated by a downward arrow) and the leg being pushed up (indicated by an upward arrow).

2.3

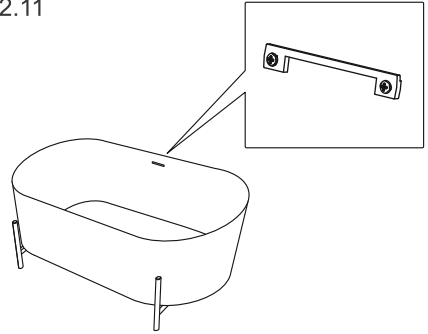
A diagram showing the assembly of the tub leg. It includes a warning icon (exclamation mark in a triangle) with a crossed-out screwdriver, a checkmark icon with a hand, and another warning icon. The diagram shows a cylindrical component being inserted into the leg, with arrows indicating the direction of movement. The number '2' is next to the top part of the leg, and the number '1' is next to the bottom part. A warning icon is also present next to the bottom part.



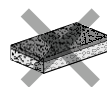
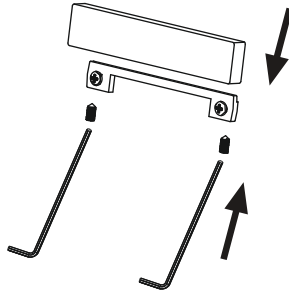
2.10



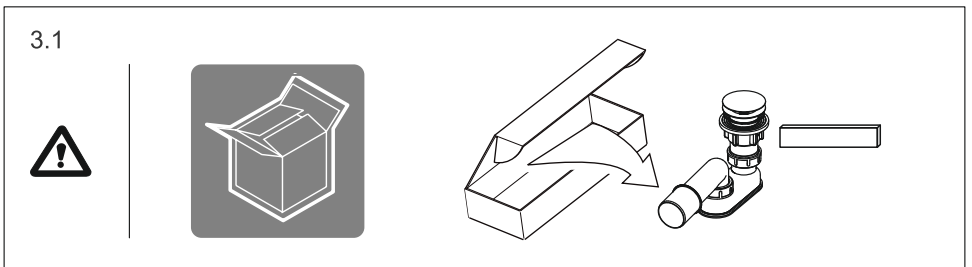
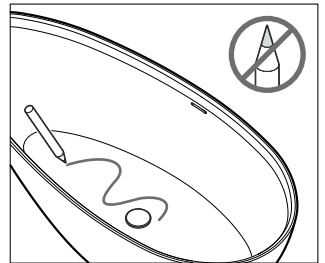
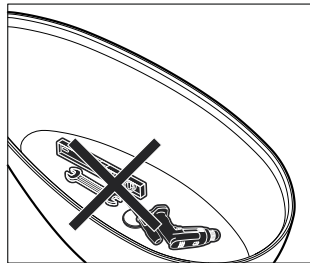
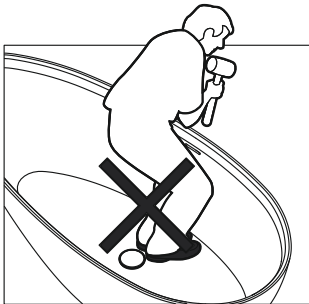
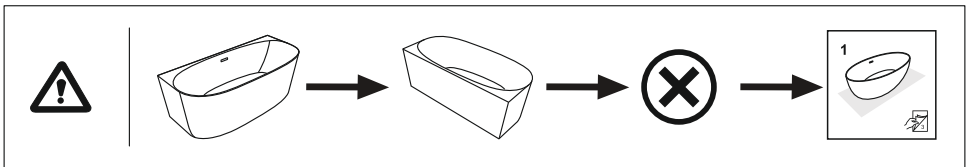
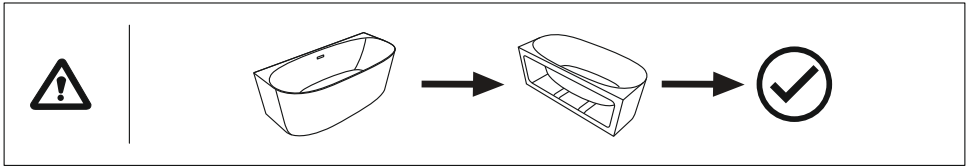
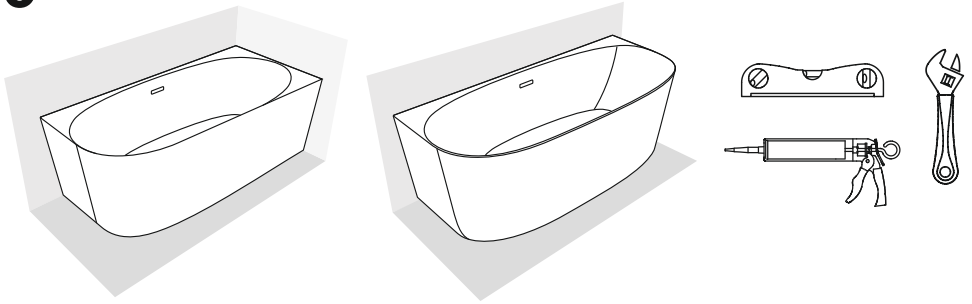
2.11

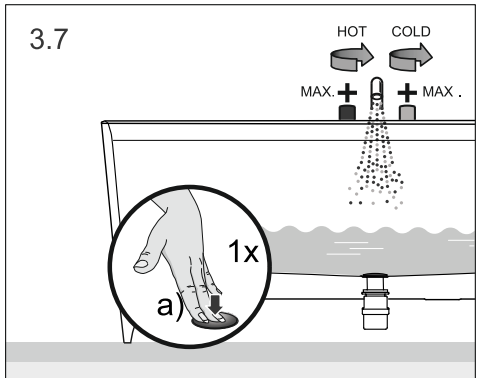
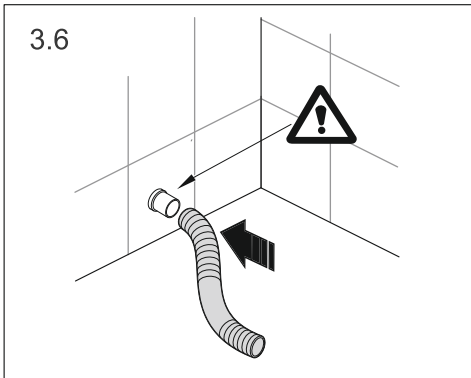
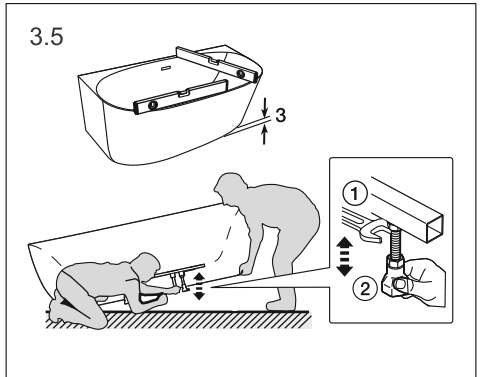
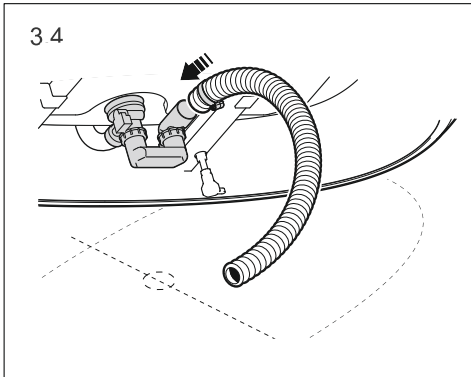
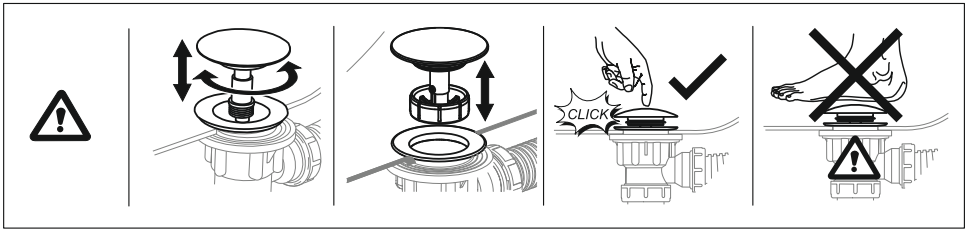
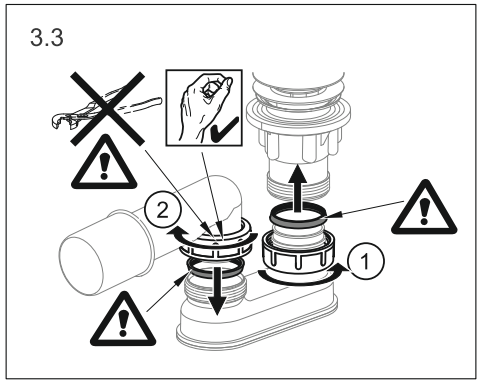
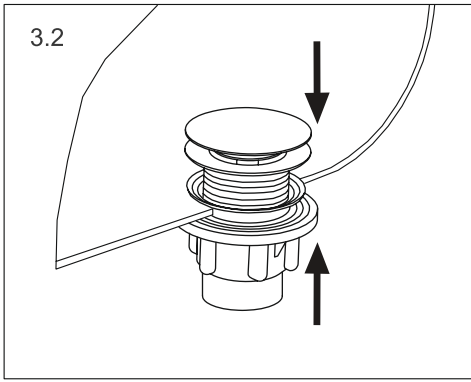


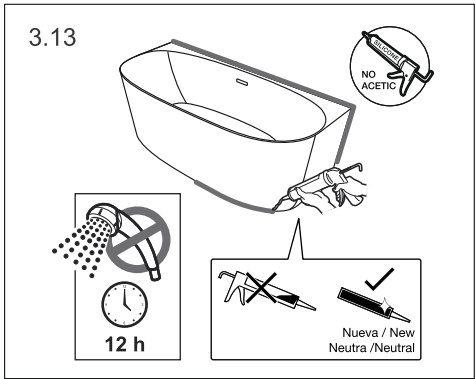
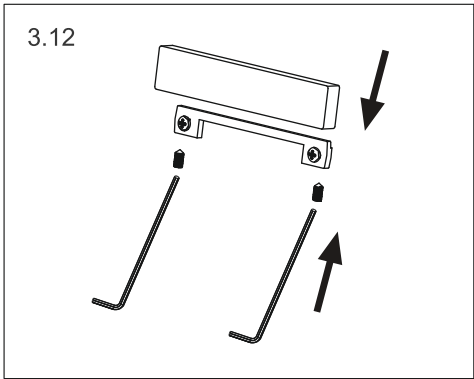
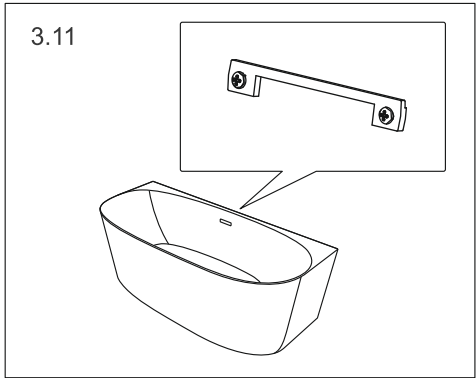
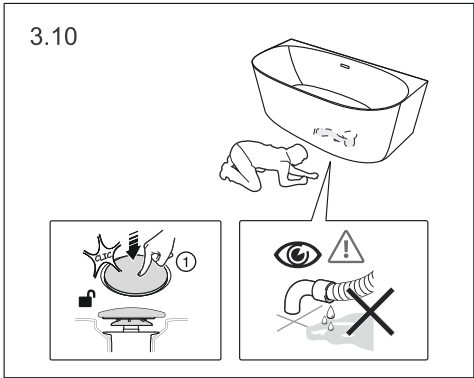
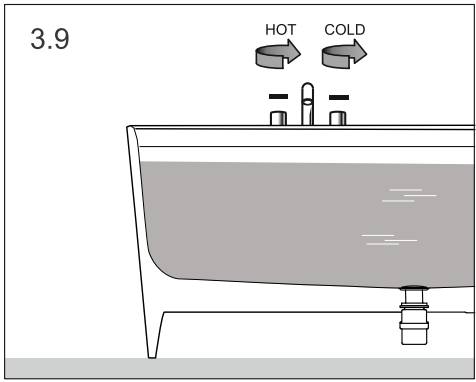
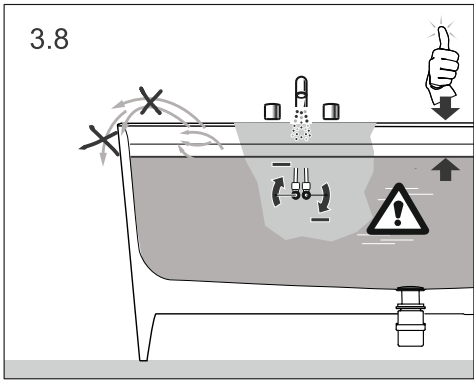
2.12



3







Wellsee

info@wellsee.pl
wellsee.pl

Wellsee

Instruction

