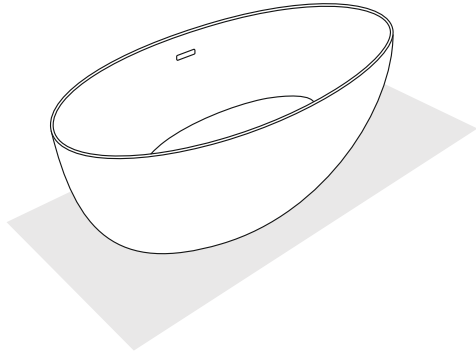


Wellsee

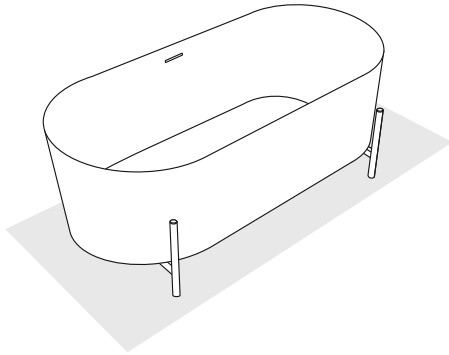
INSTRUCTION

info@wellsee.pl
wellsee.pl

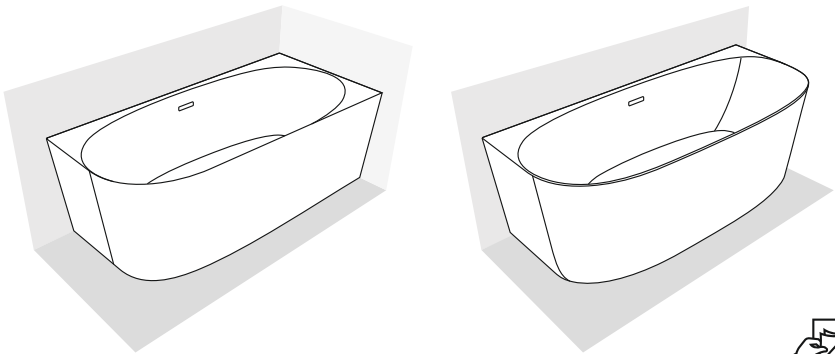
1



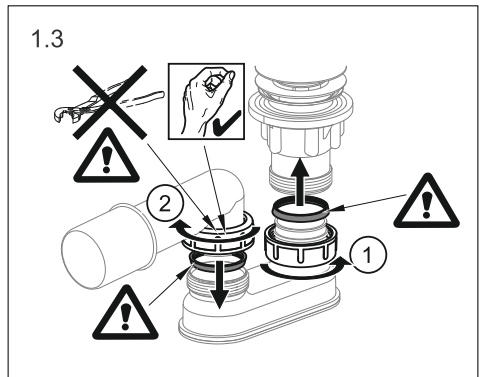
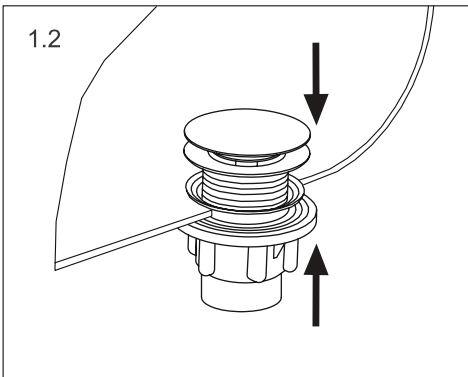
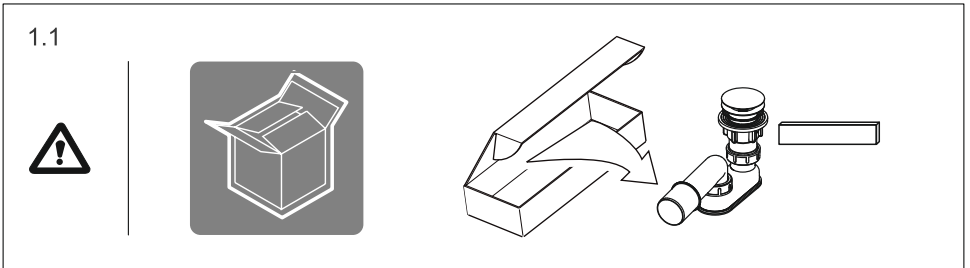
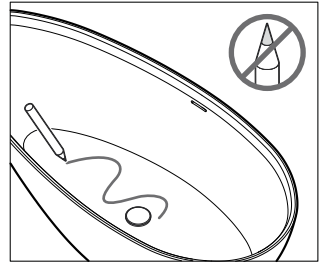
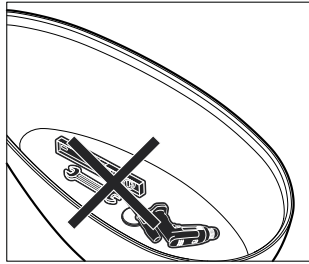
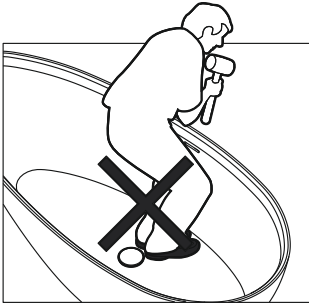
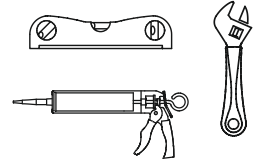
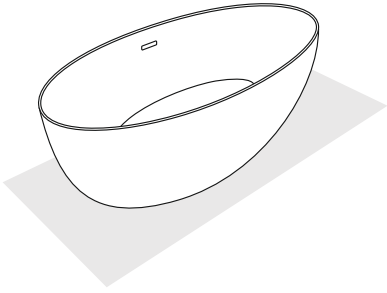
2

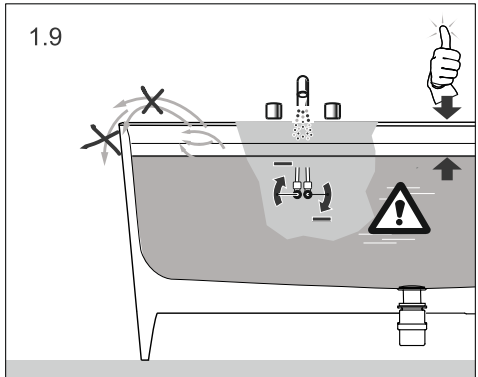
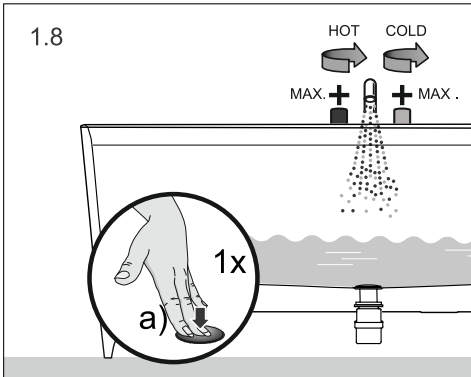
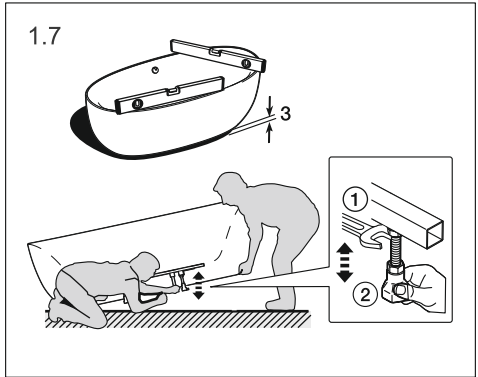
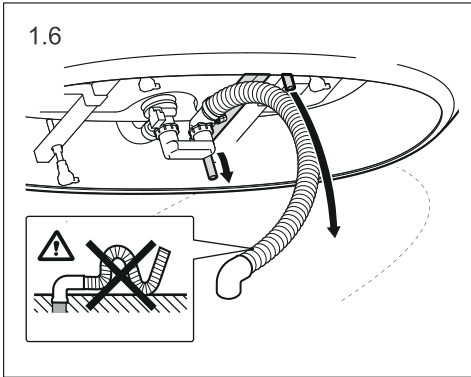
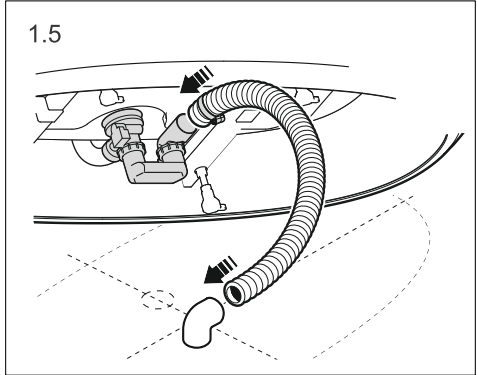
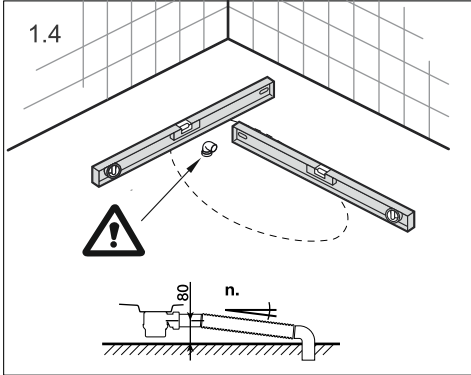
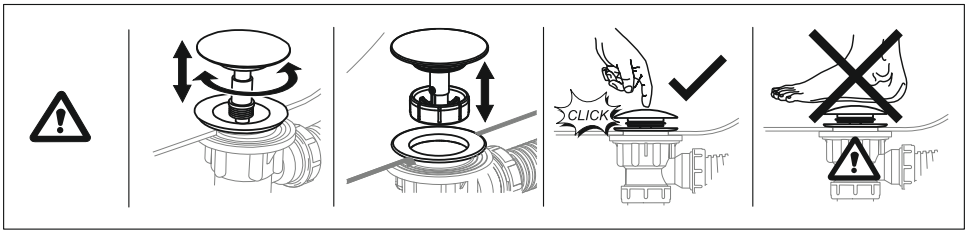


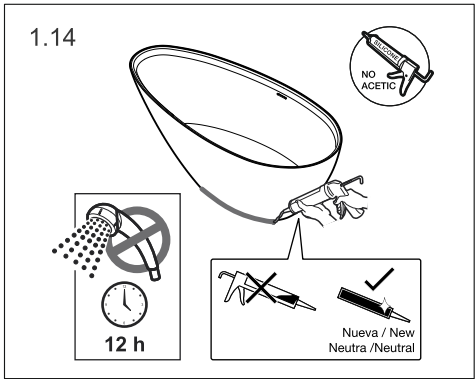
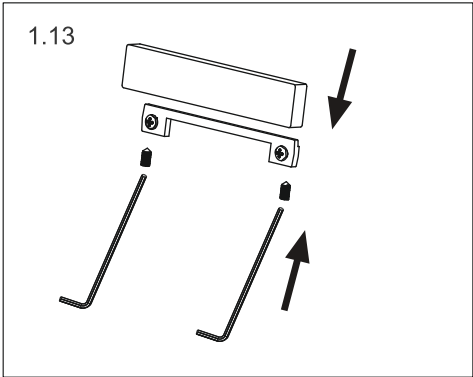
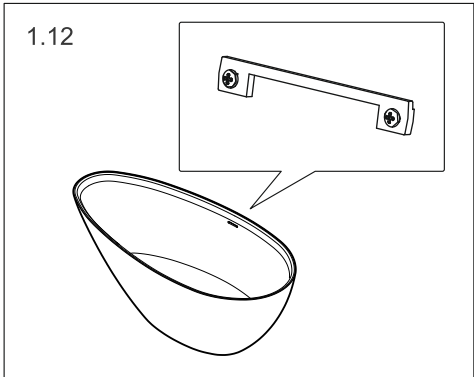
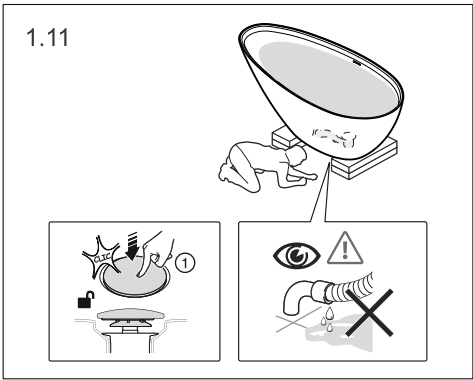
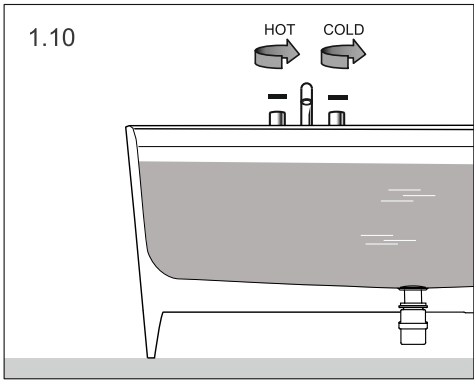
3



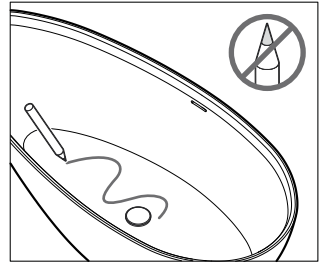
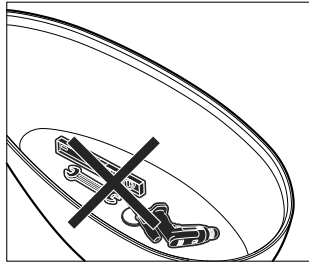
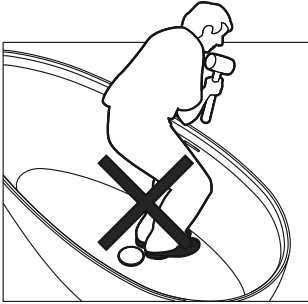
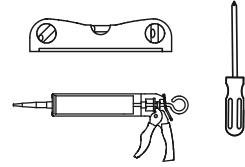
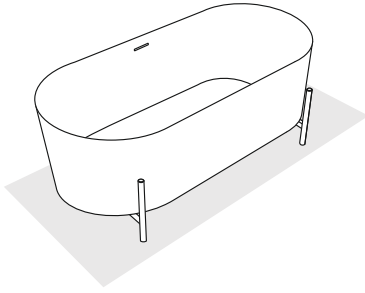
1







2



2.1

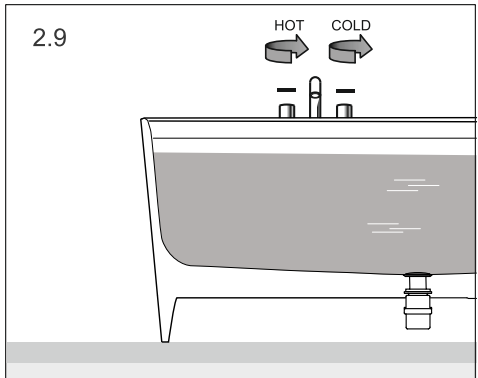
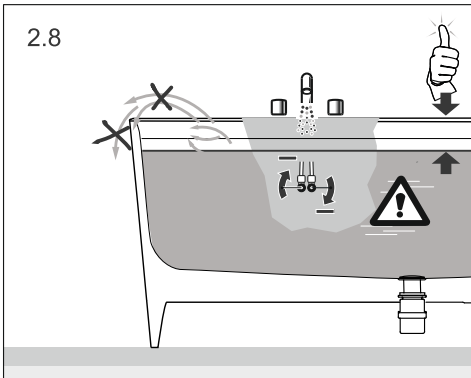
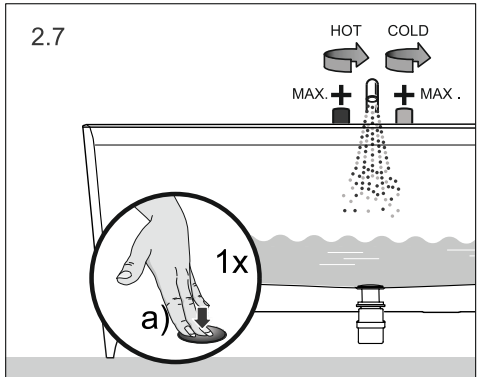
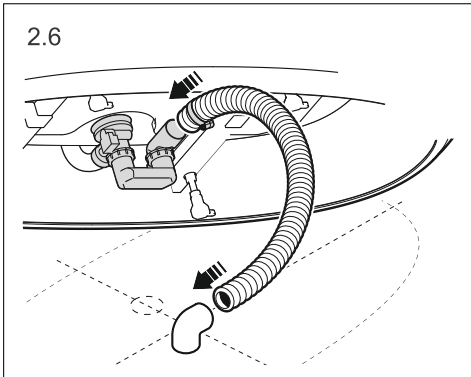
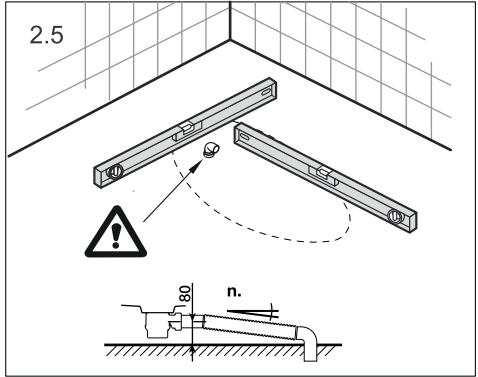
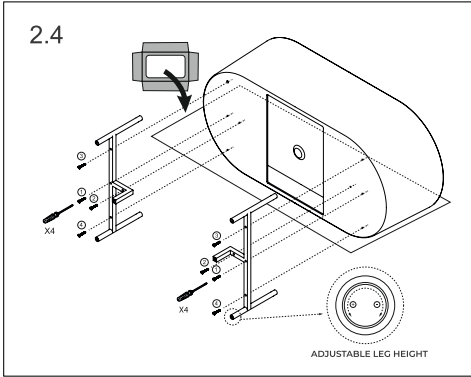
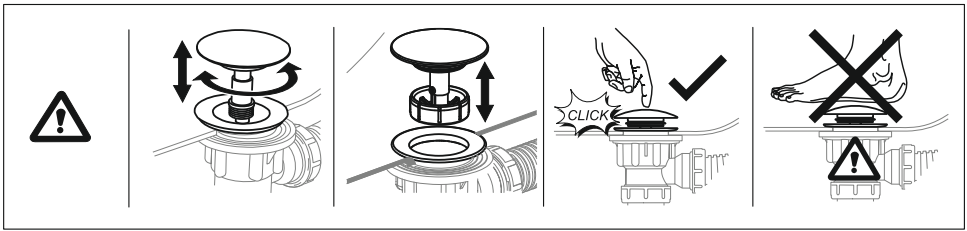
A section containing a warning icon (exclamation mark in a triangle), an icon of an open cardboard box, and an illustration of a utility knife being used to open a box. Next to it is a small cylindrical component and a thin rectangular strip.

2.2

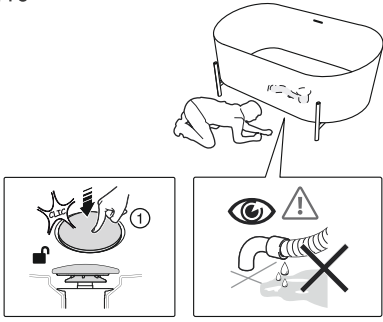
A diagram showing a cross-section of the bathtub edge. A downward arrow points to the tub edge, and an upward arrow points to a component being inserted into the tub's rim.

2.3

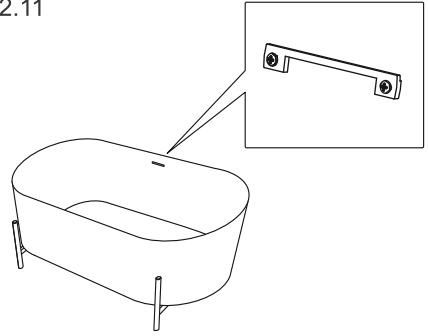
A diagram showing the assembly of the tub edge component. It includes a warning icon (exclamation mark in a triangle) with a crossed-out screwdriver, a checkmark icon with a hand, and another warning icon. The assembly is shown in two stages: one with a downward arrow and a '2' in a circle, and another with an upward arrow and a '1' in a circle. Both stages include warning icons.



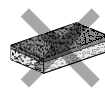
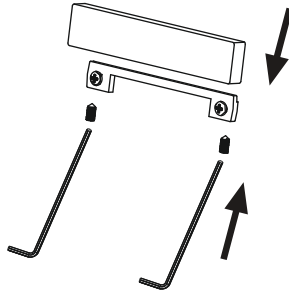
2.10



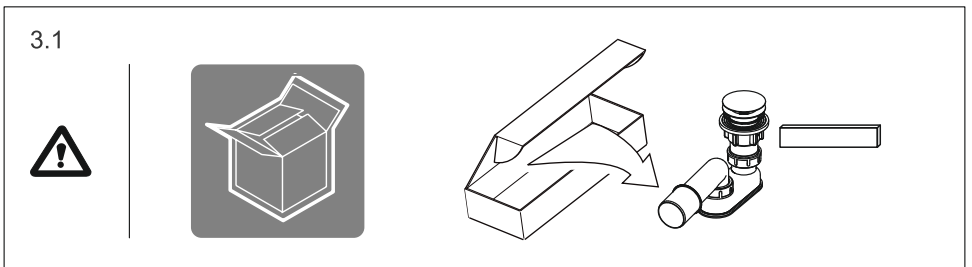
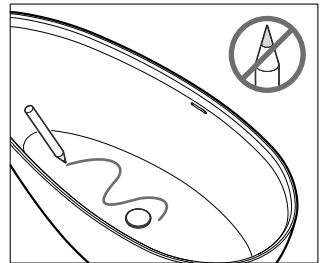
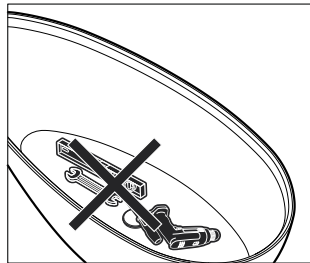
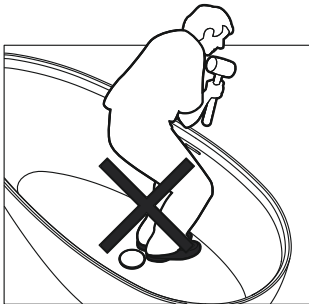
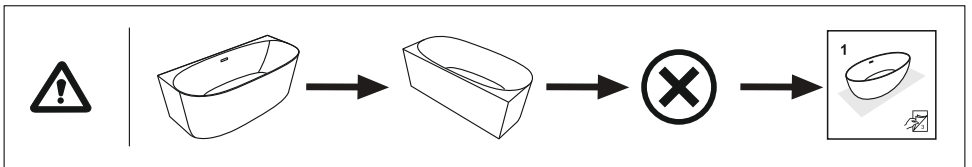
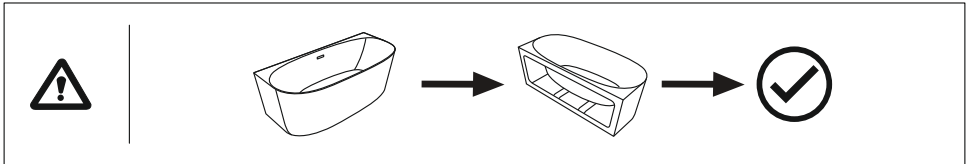
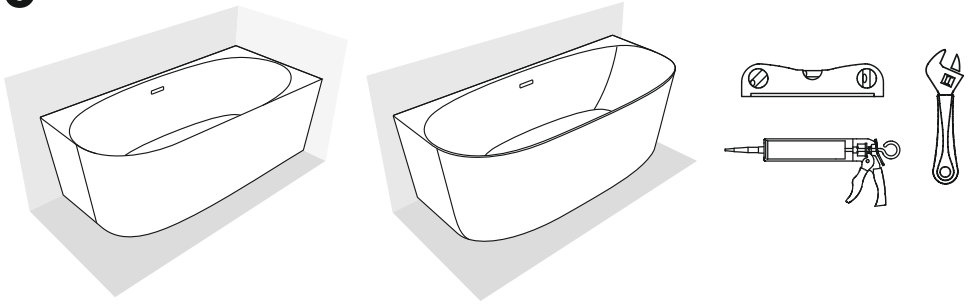
2.11

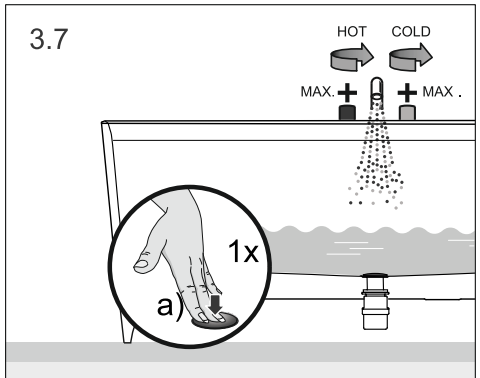
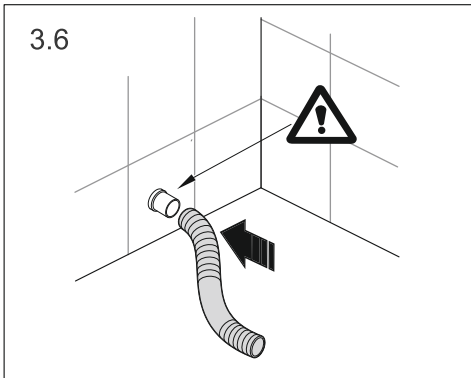
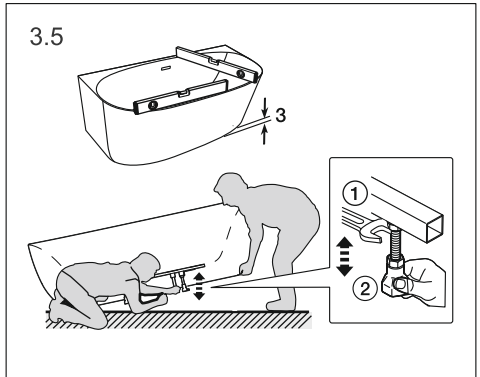
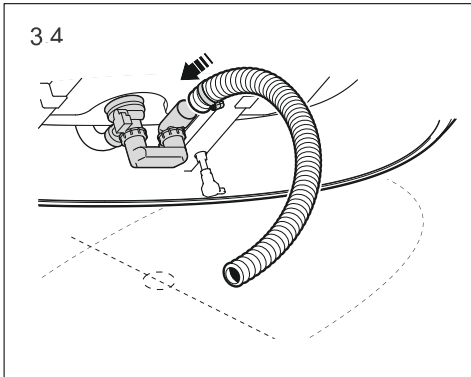
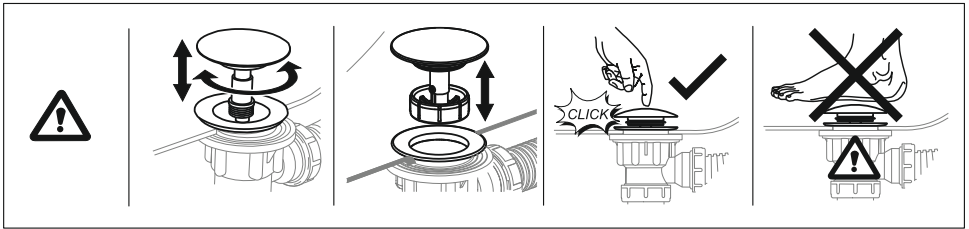
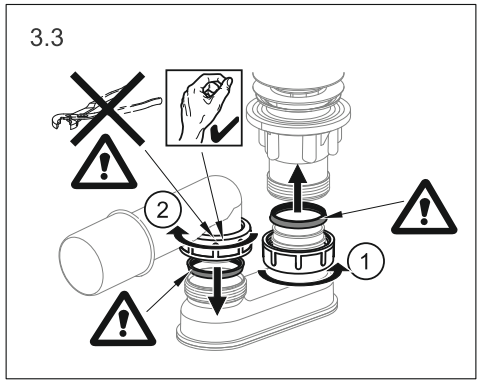
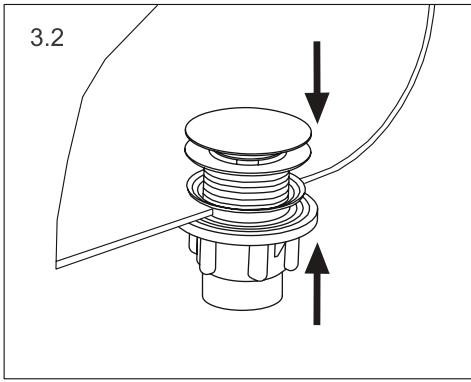


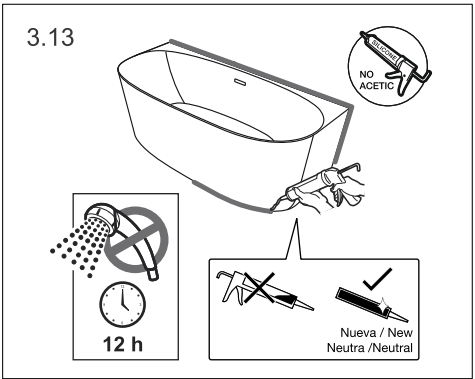
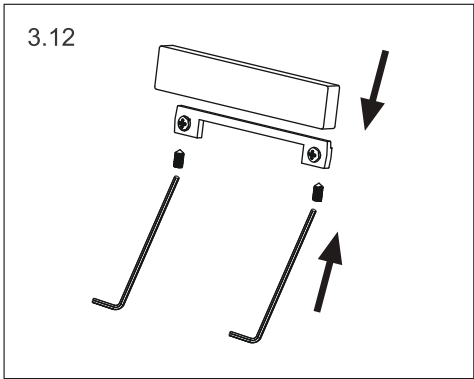
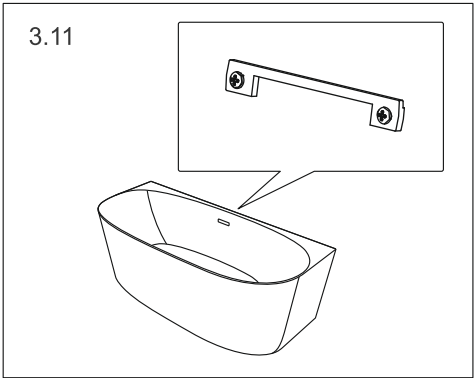
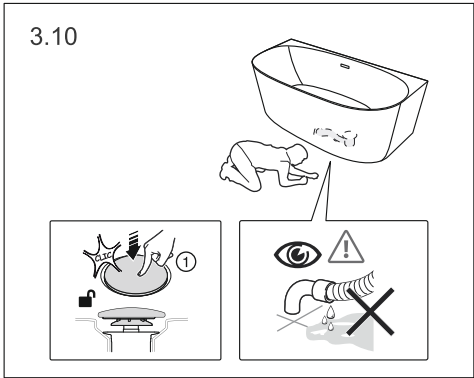
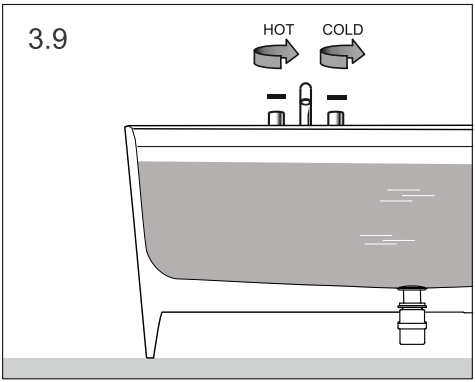
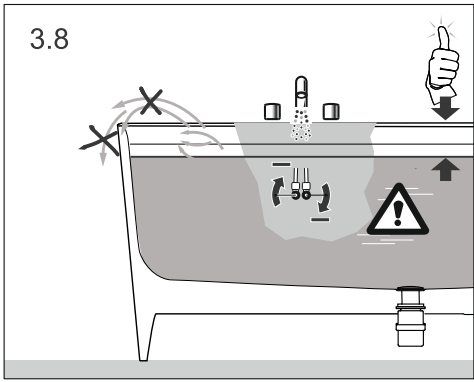
2.12



3







Wellsee

info@wellsee.pl
wellsee.pl

Wellsee

Instruction

