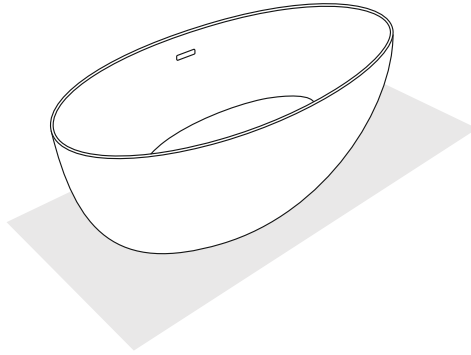


Wellsee

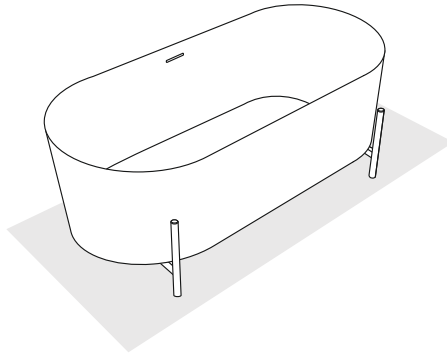
INSTRUCTION

info@wellsee.pl
wellsee.pl

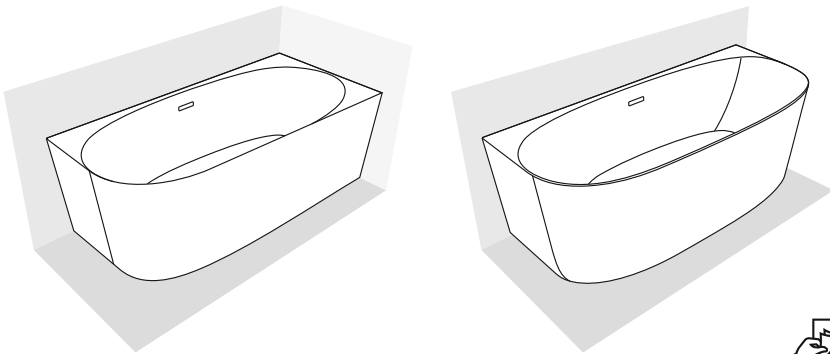
1



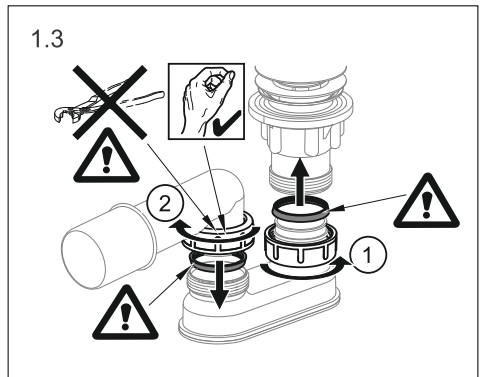
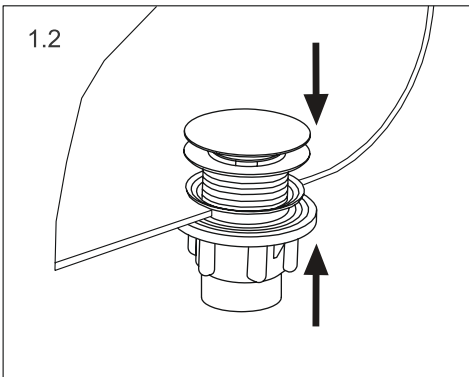
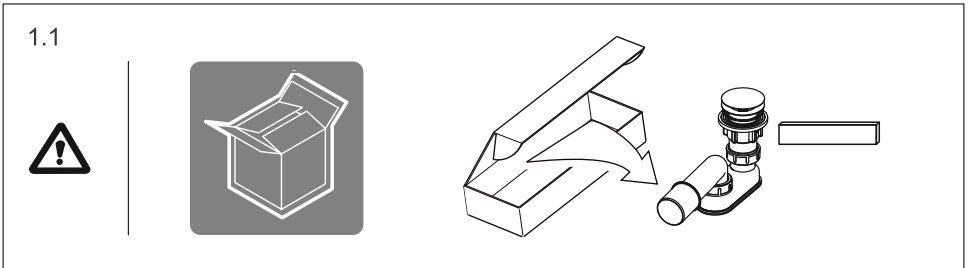
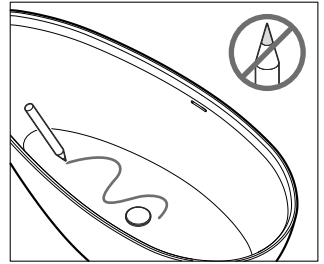
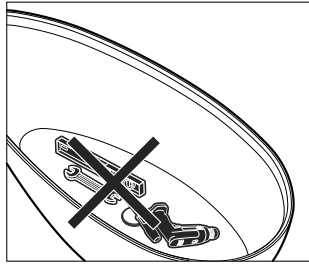
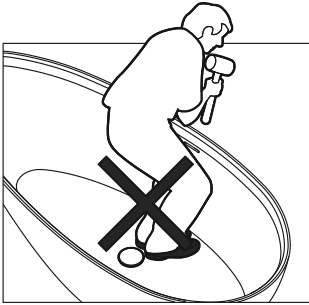
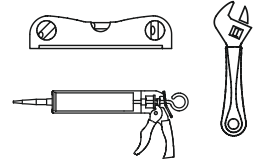
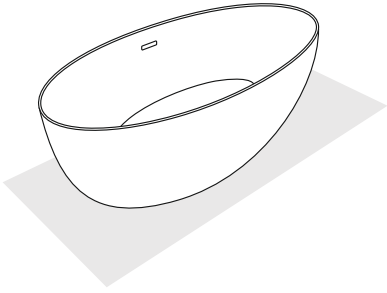
2

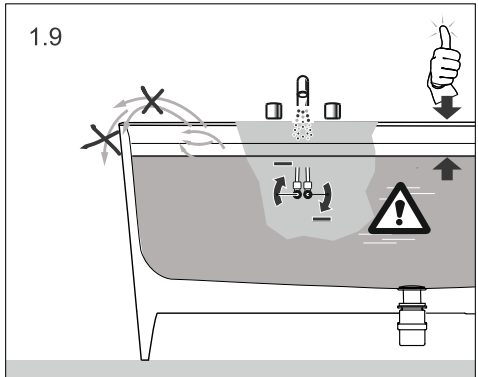
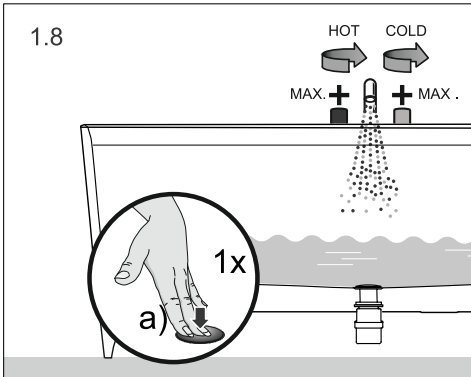
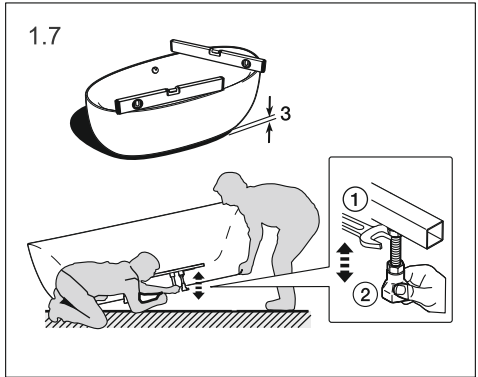
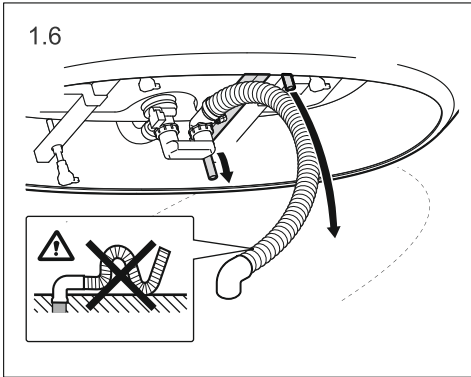
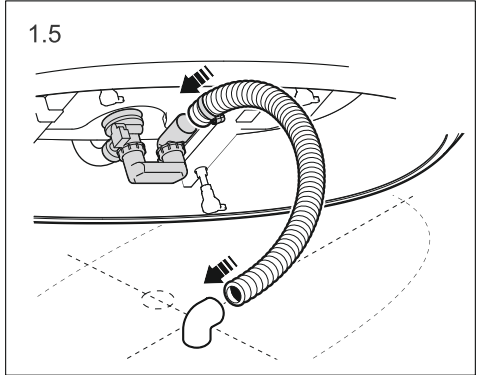
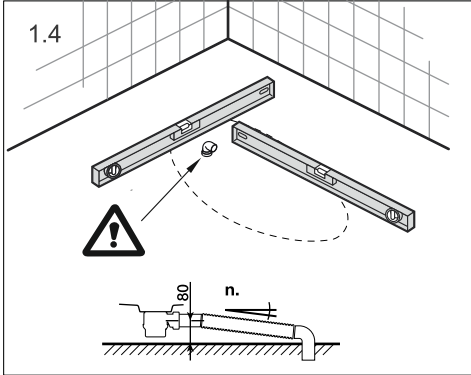
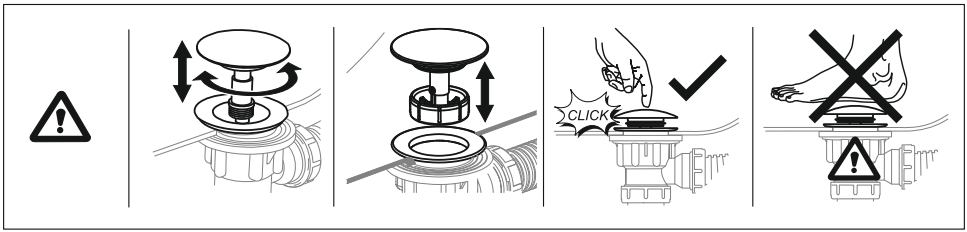


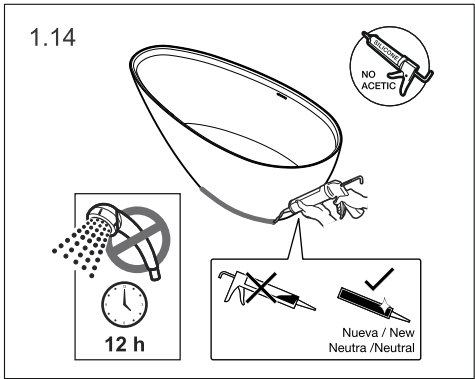
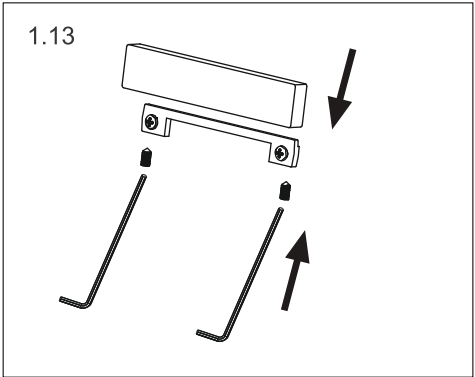
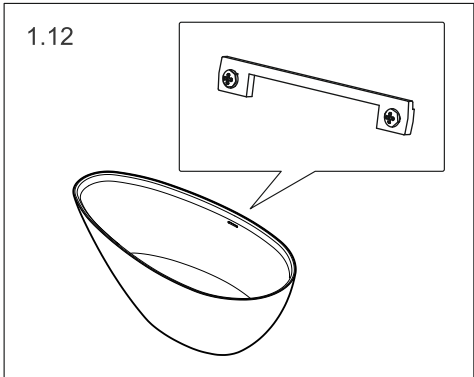
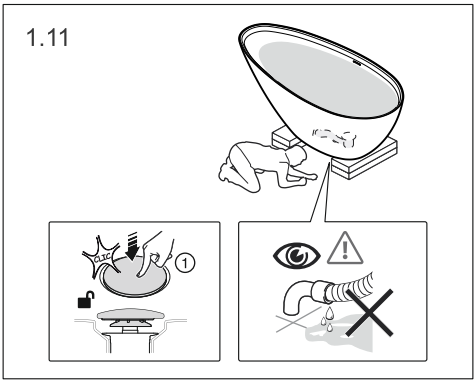
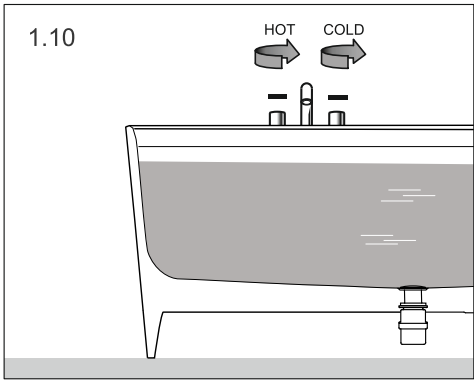
3



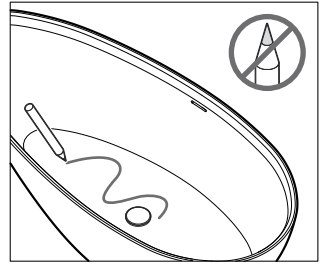
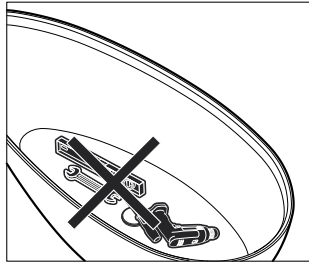
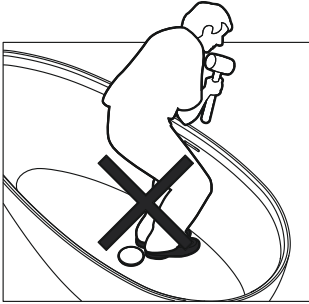
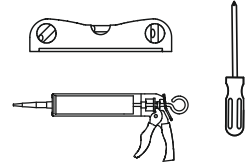
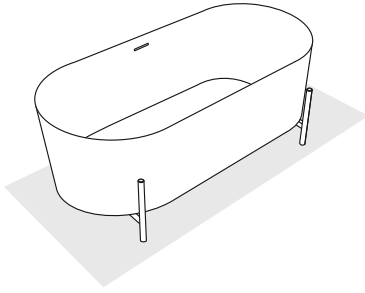
1







2



2.1

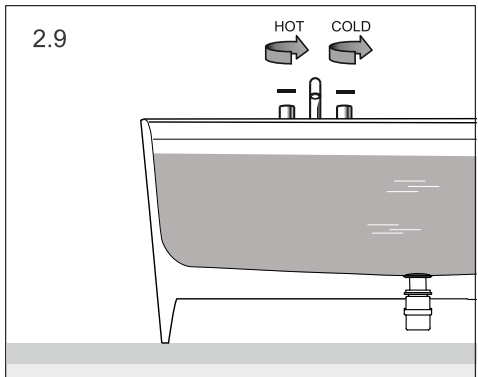
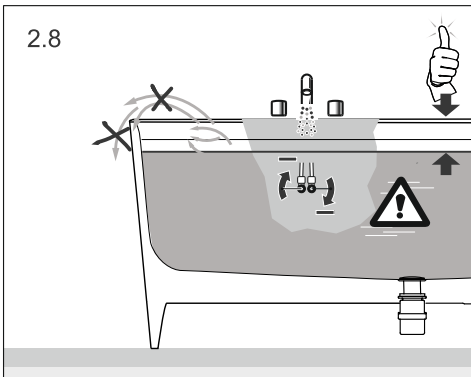
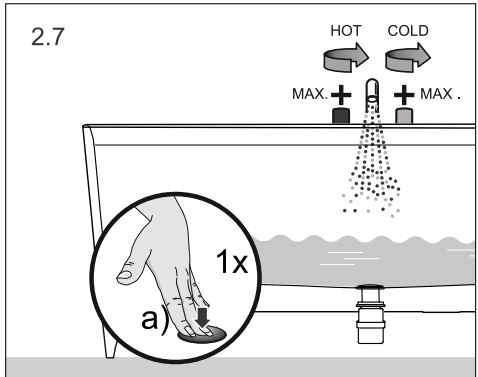
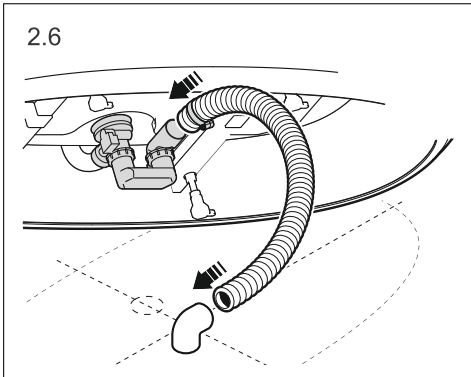
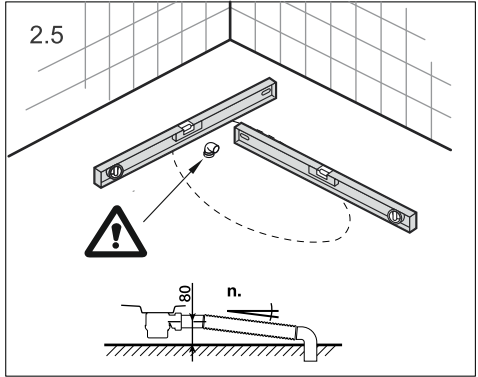
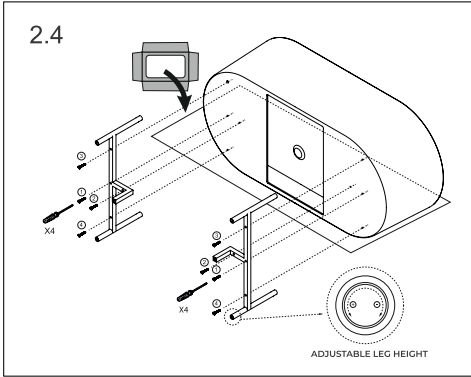
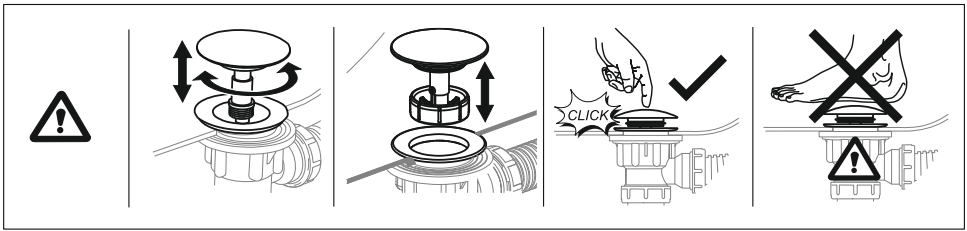
A warning icon (exclamation mark in a triangle) is on the left. In the center is a grey square icon of an open cardboard box. On the right are the components for step 2.1: a white plastic cap, a metal nut, a metal washer, and a metal screw.

2.2

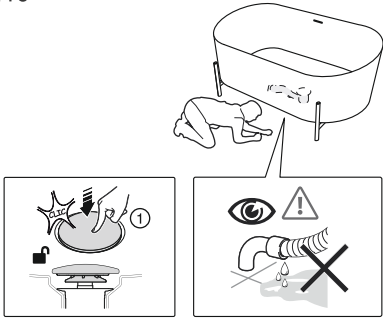
A diagram showing the assembly of a bathtub tap. A black arrow points down to the top of the tap handle, and a white arrow points up to the bottom of the tap handle, indicating the direction of assembly.

2.3

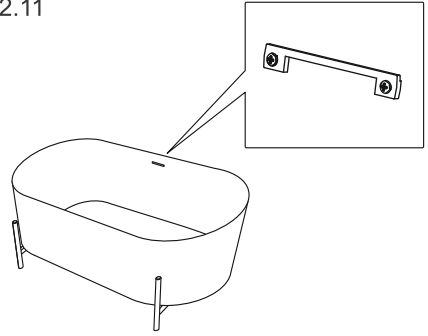
A diagram showing the assembly of a bathtub tap. It includes a warning icon (exclamation mark in a triangle) with a crossed-out screwdriver, a checkmark icon with a hand, and another warning icon. The diagram shows a metal nut being tightened onto a metal washer. A white arrow points up to the top of the tap handle, and a white arrow points down to the bottom of the tap handle. The numbers 1 and 2 are used to label the components.



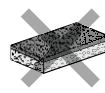
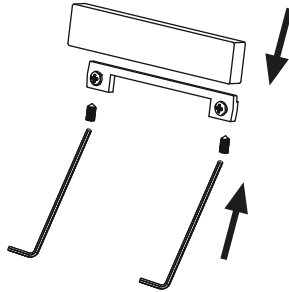
2.10



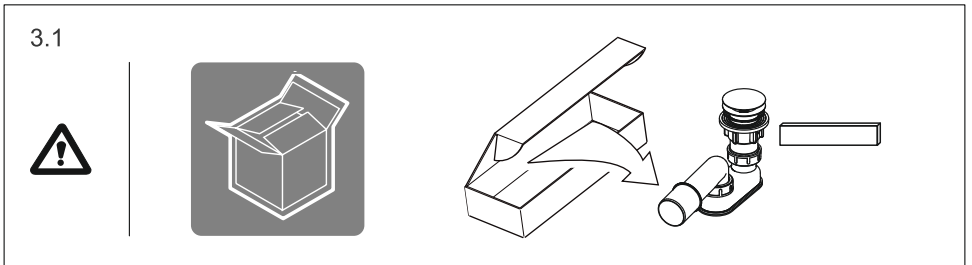
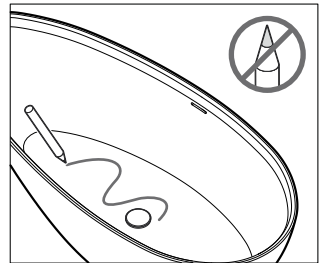
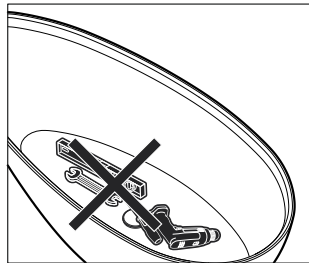
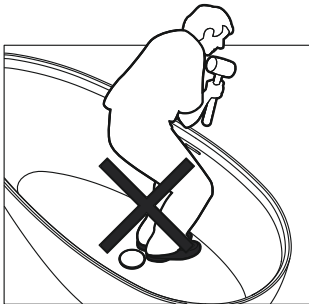
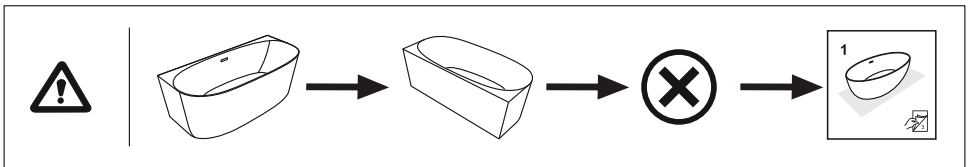
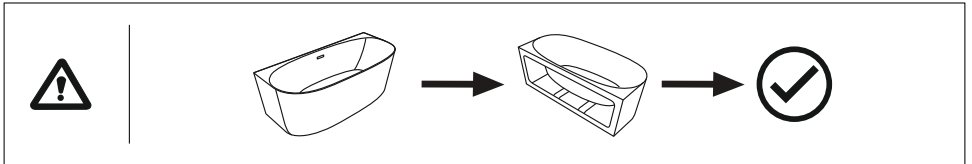
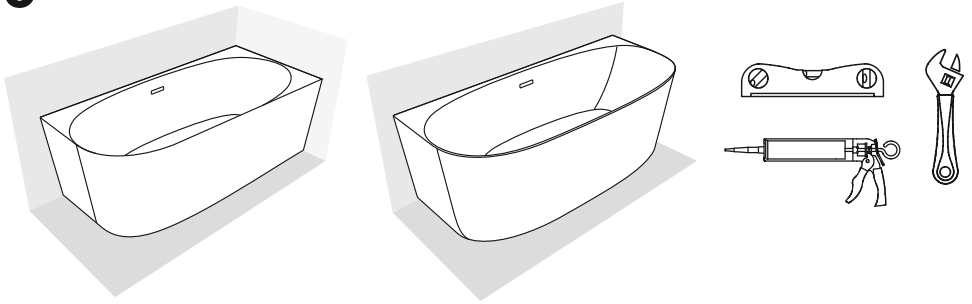
2.11

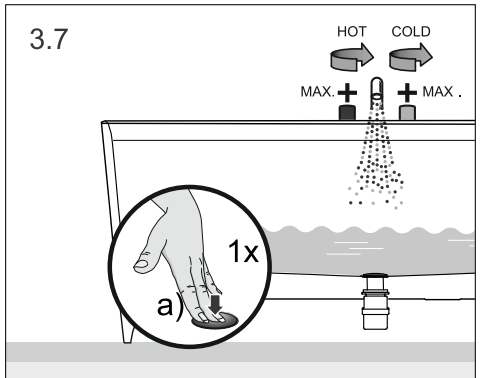
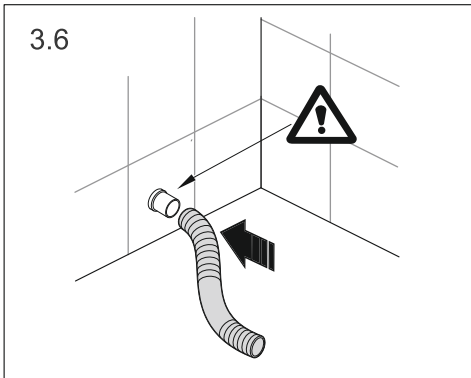
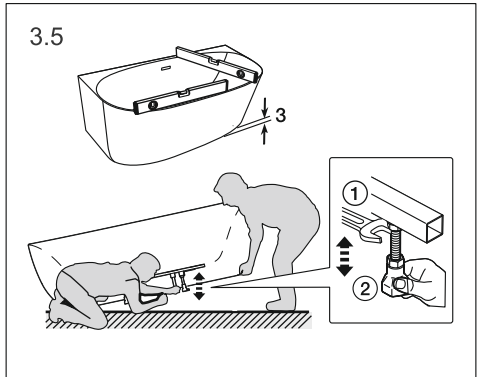
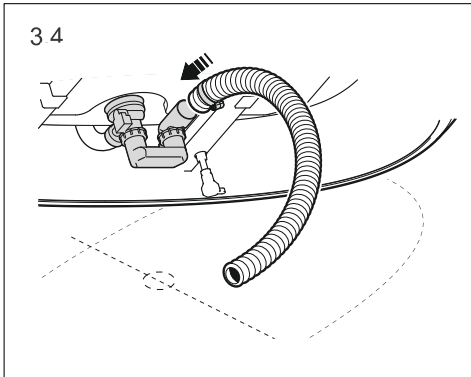
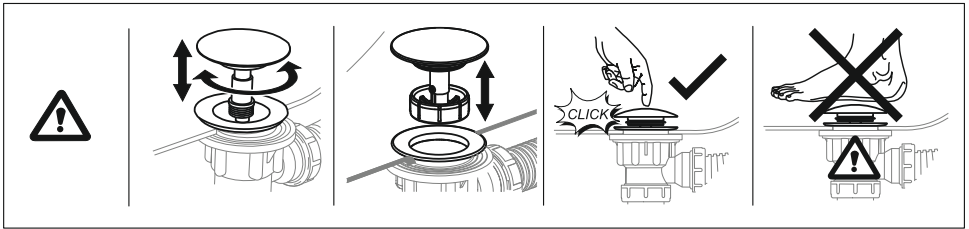
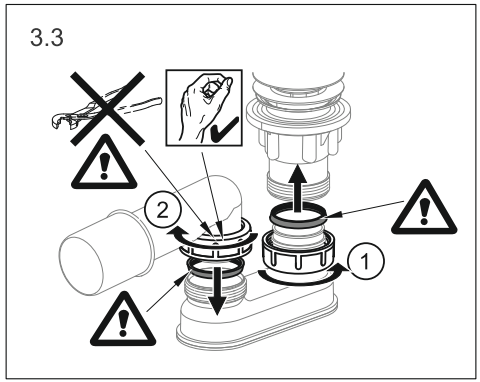
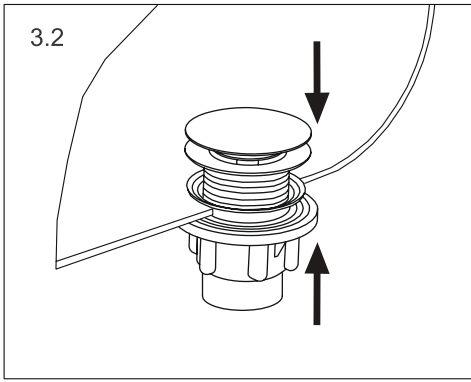


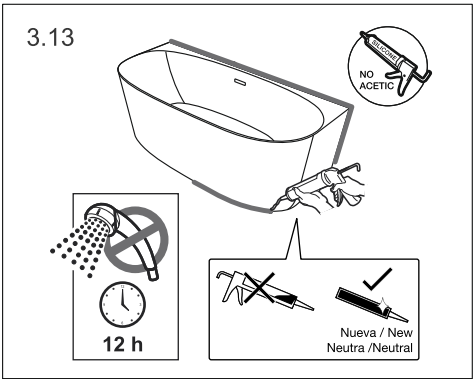
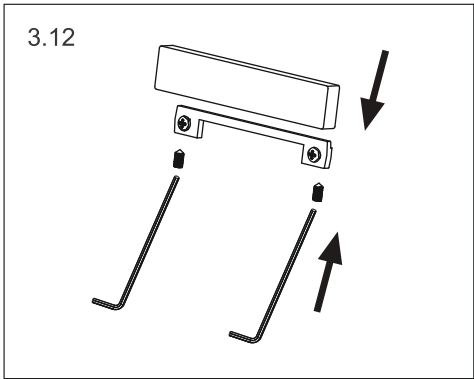
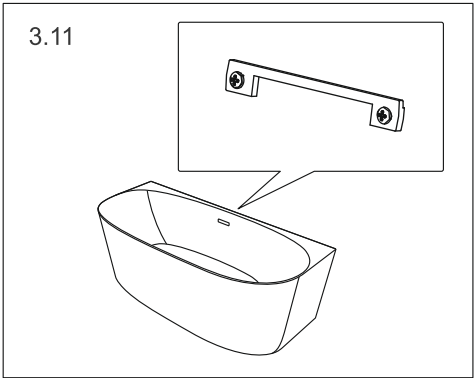
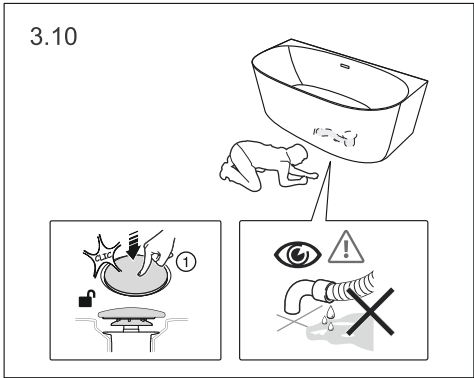
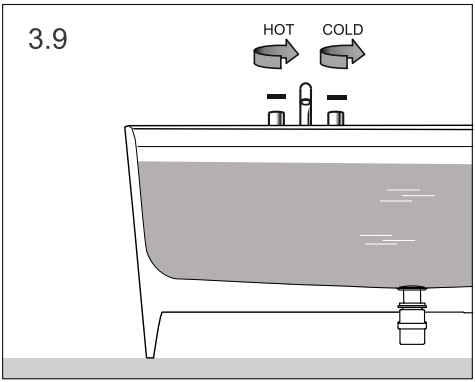
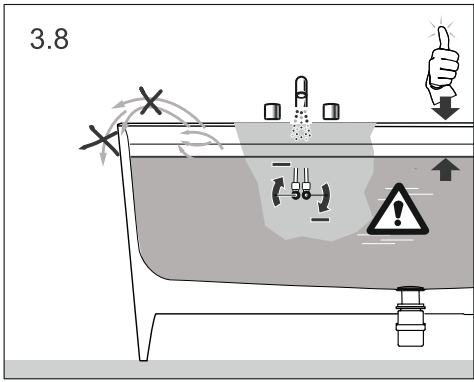
2.12



3







Wellsee

info@wellsee.pl
wellsee.pl