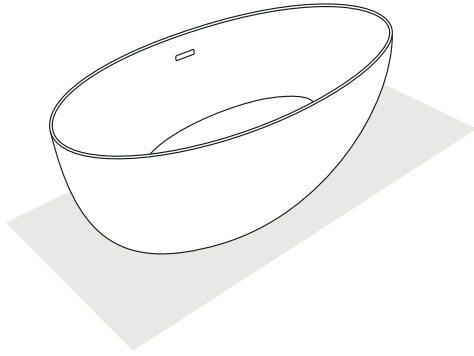


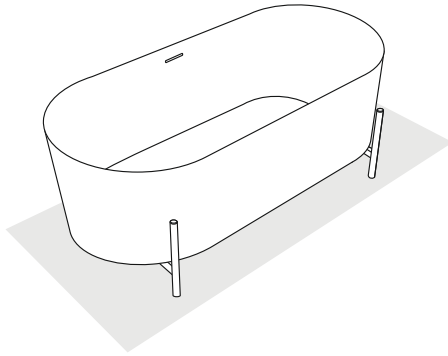
# INSTRUCTION

Follow these rules when installing.  
If you have any questions, write to us  
and we will help!

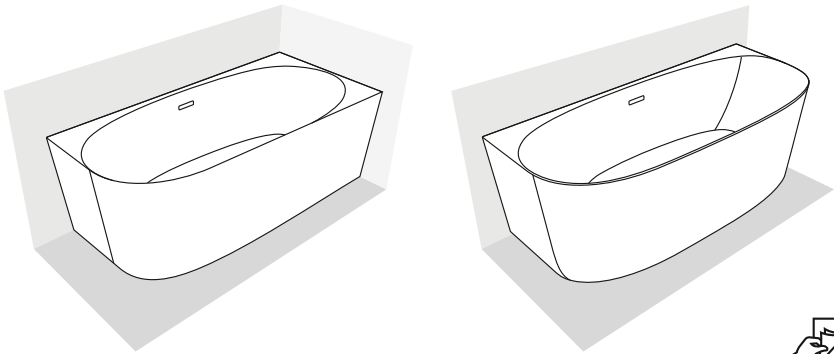
1



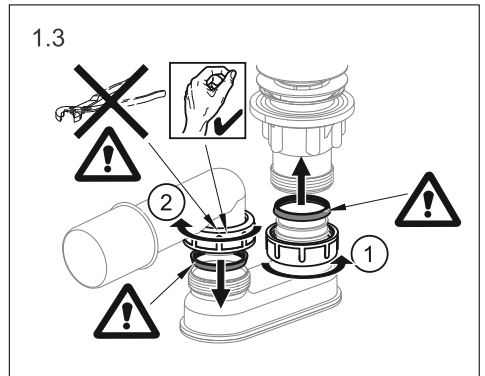
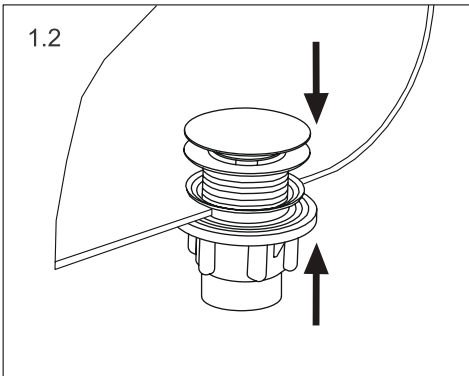
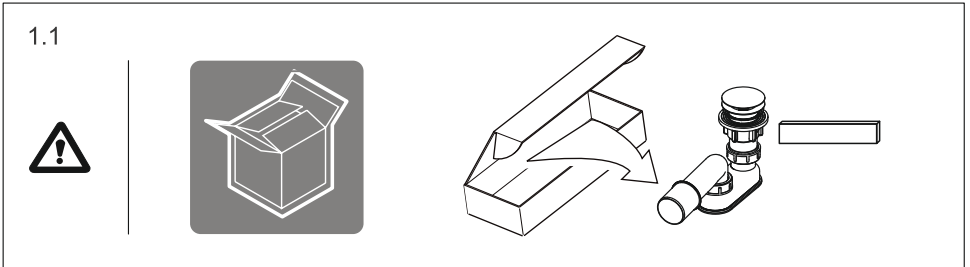
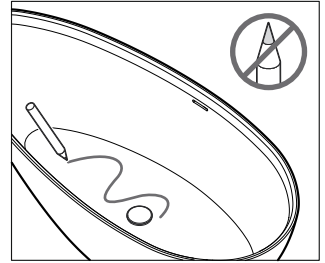
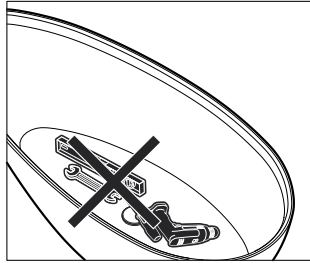
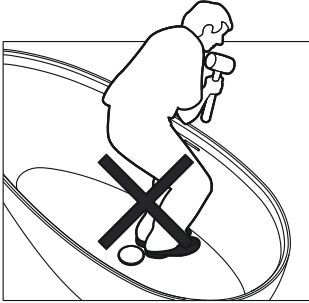
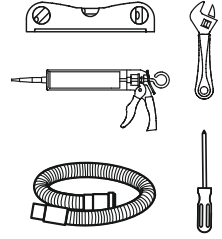
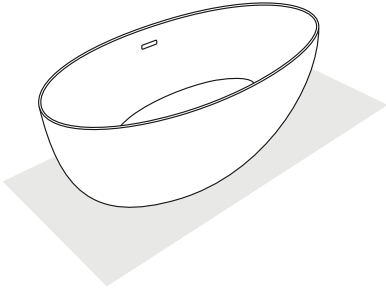
2

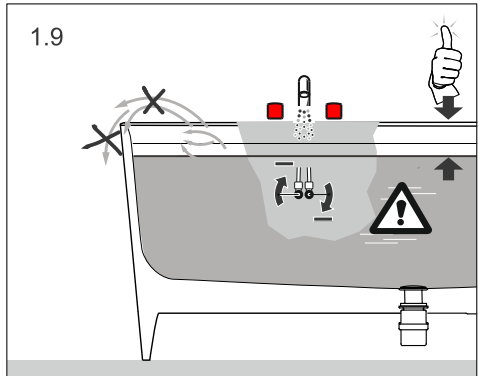
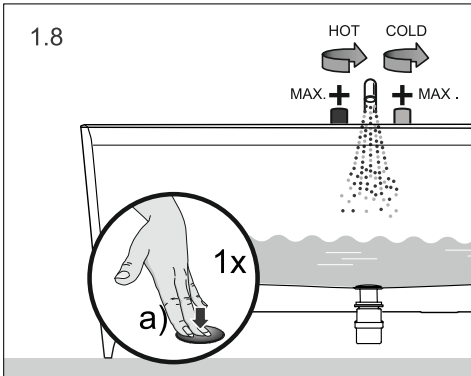
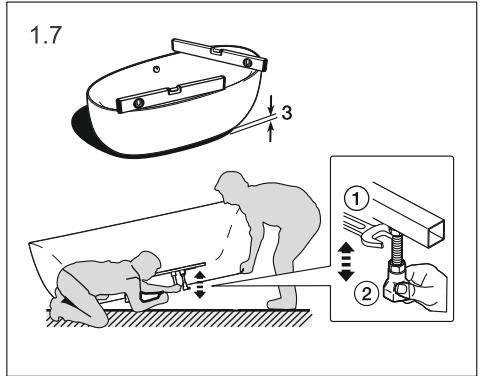
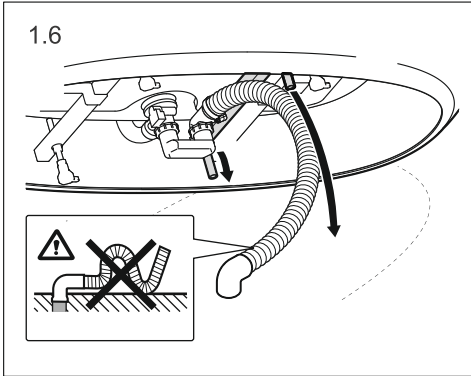
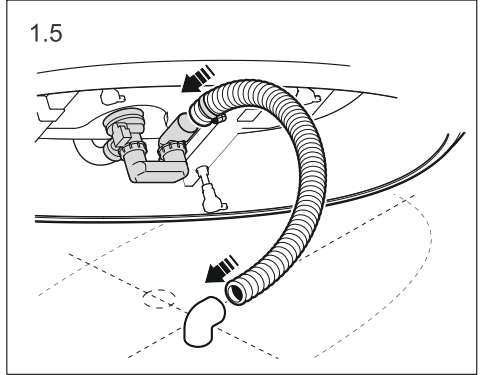
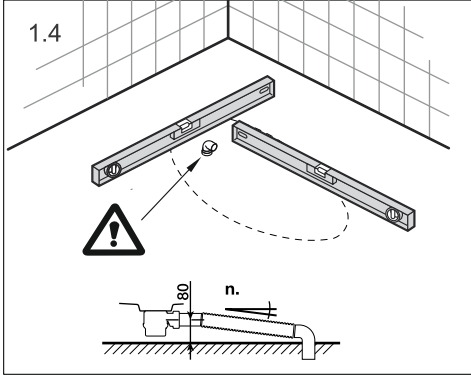
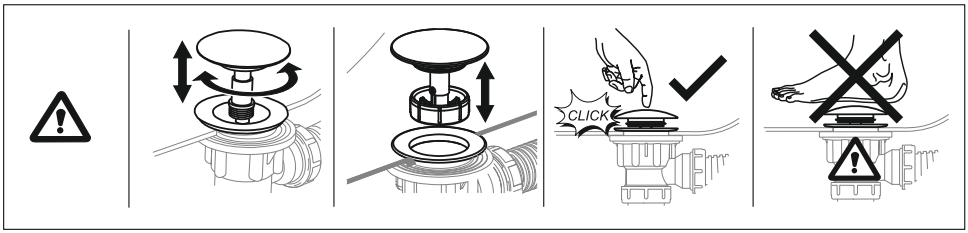


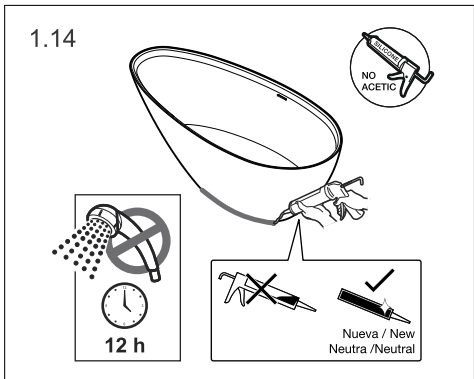
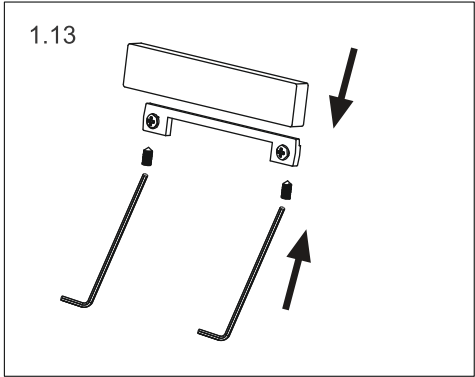
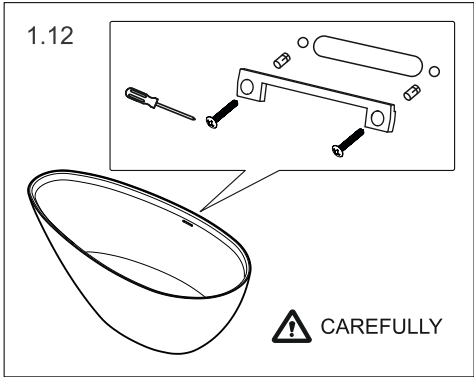
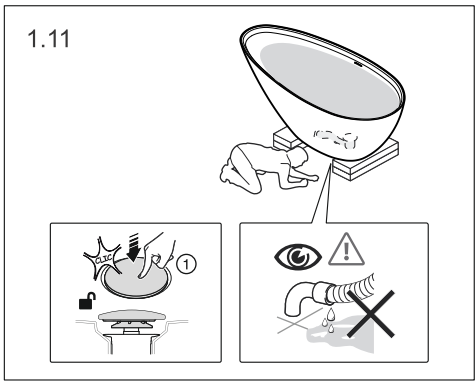
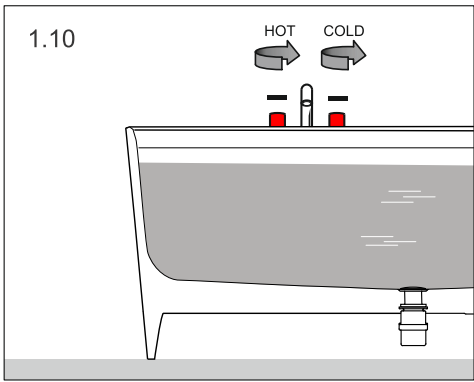
3



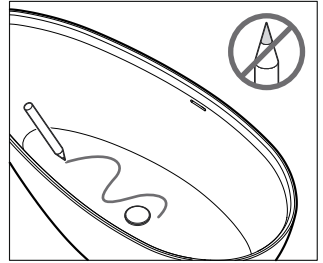
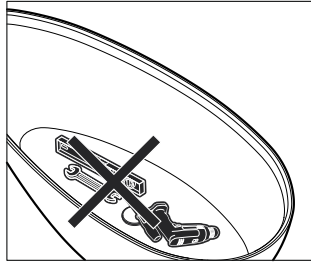
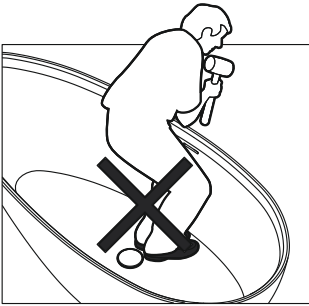
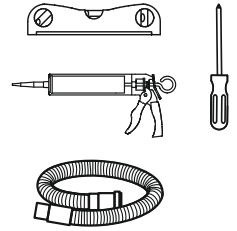
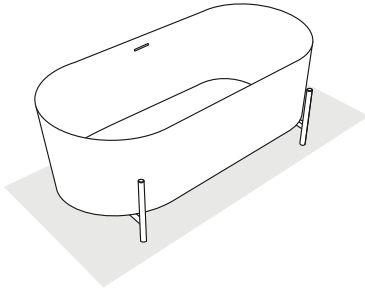
# 1





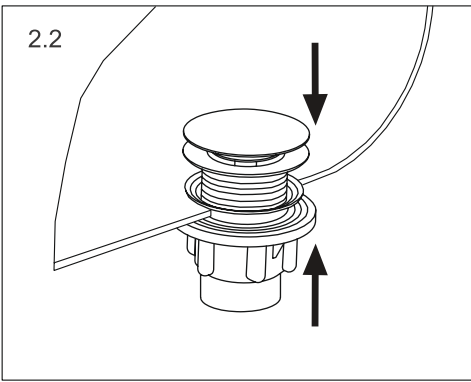


# 2



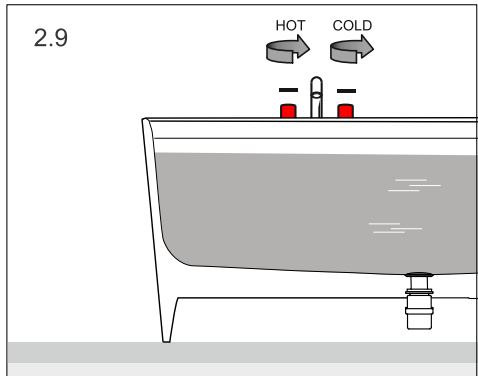
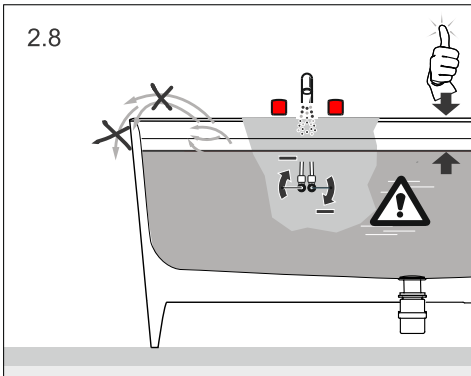
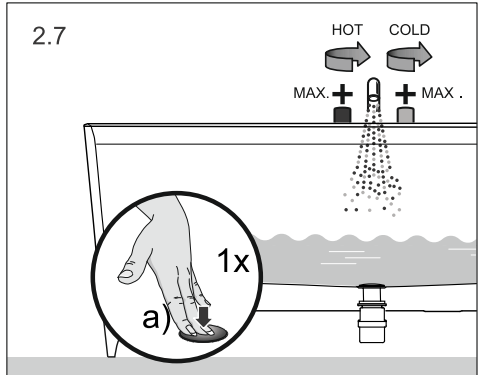
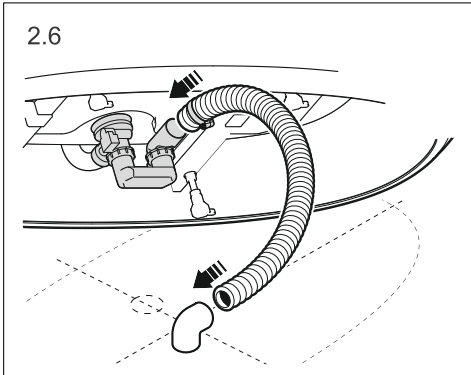
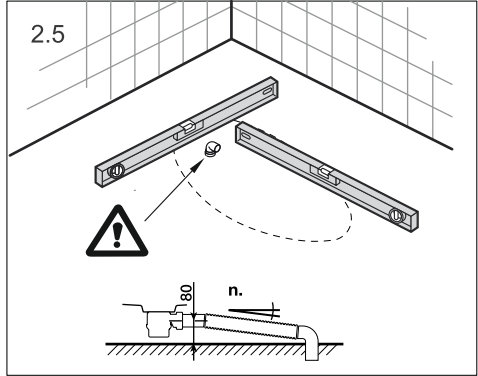
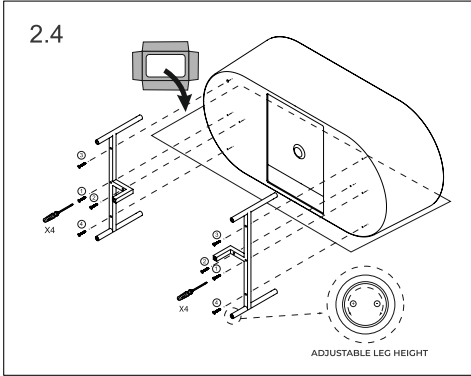
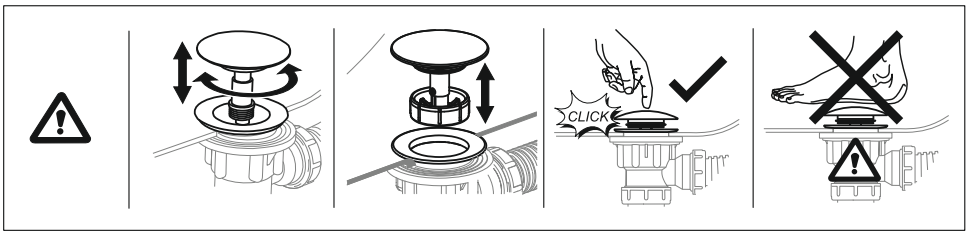
2.1

Step 2.1 shows a warning icon (exclamation mark in a triangle) and an icon of an open cardboard box. It then illustrates a utility knife being used to open a box, and a small cylindrical component being removed from the box.

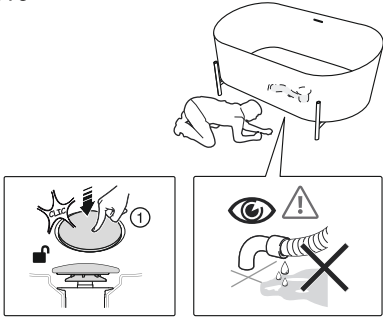


2.3

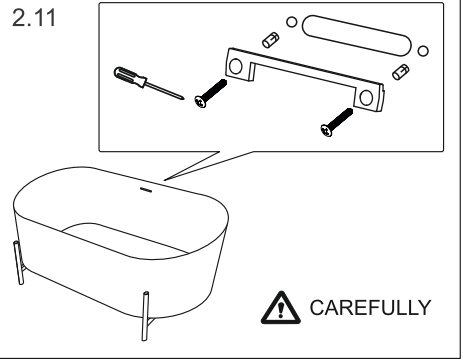
Step 2.3 shows a diagram of the tub being secured with a nut and washer. Arrows indicate the direction of rotation for the nut (1) and the washer (2). Warning icons include a crossed-out screwdriver, a hand with a checkmark, and exclamation marks in triangles.



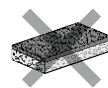
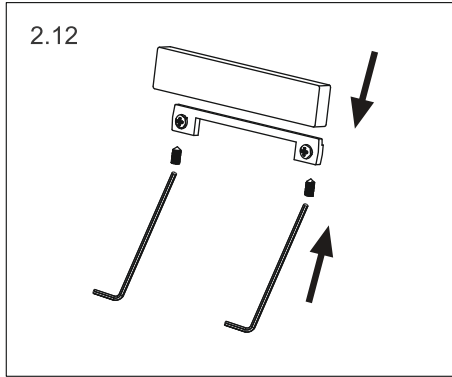
2.10



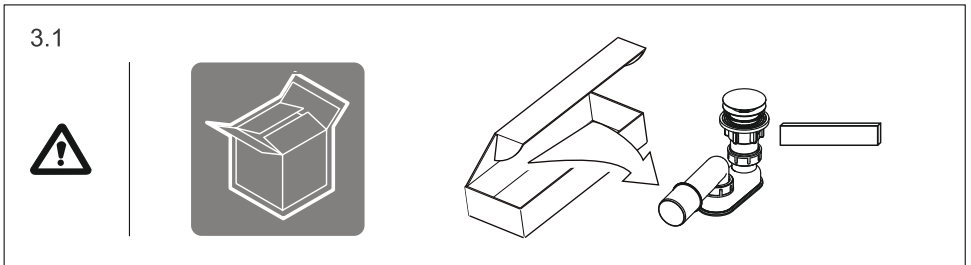
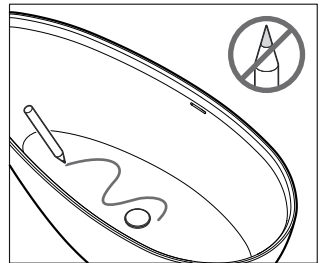
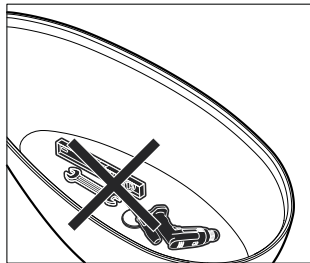
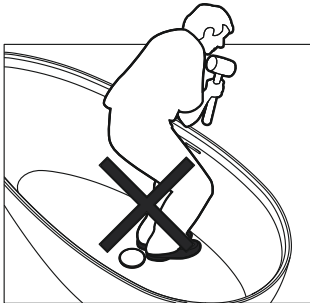
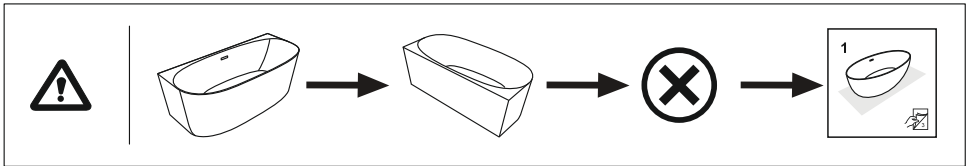
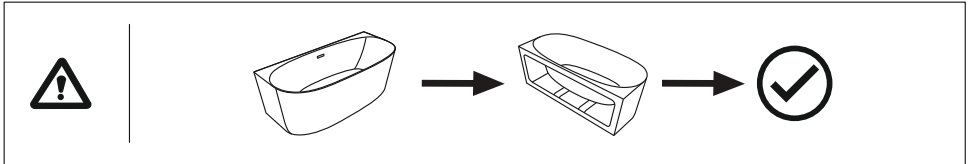
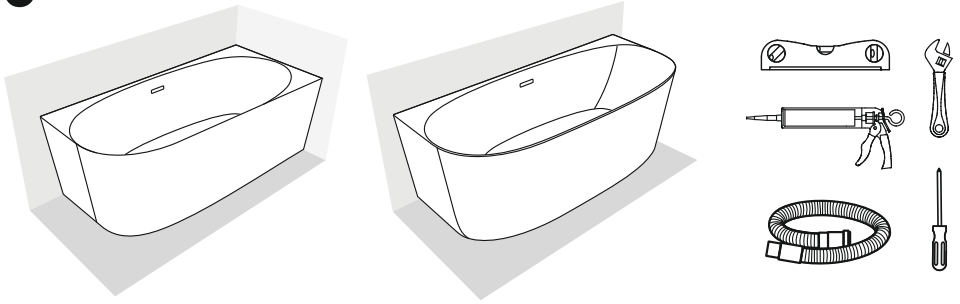
2.11

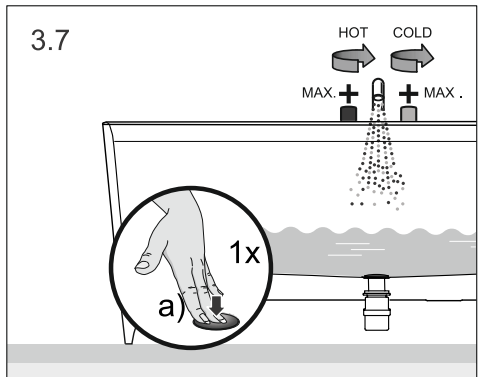
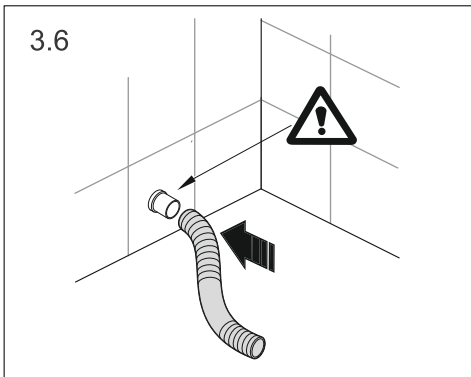
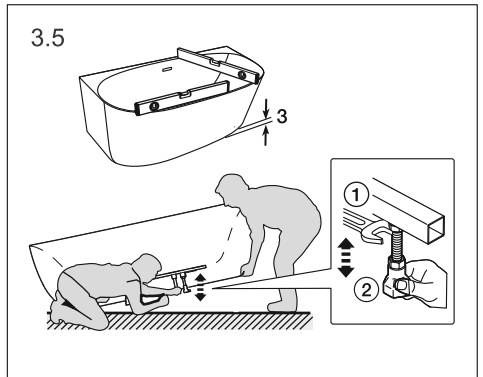
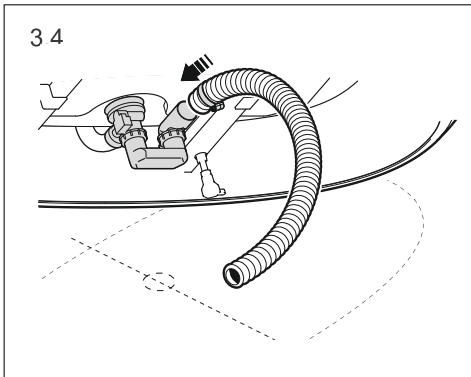
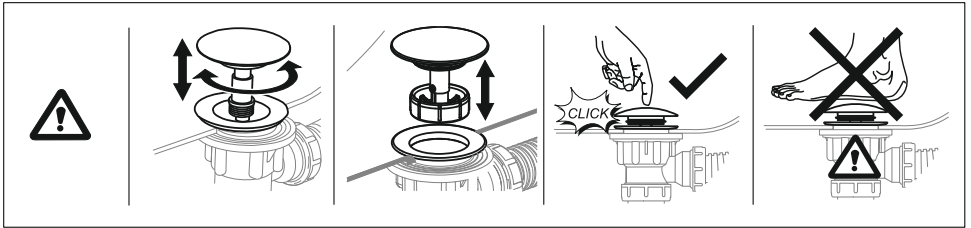
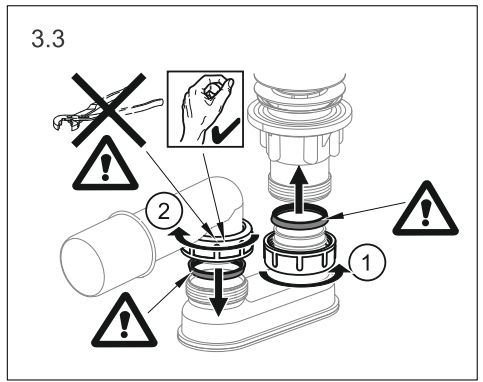
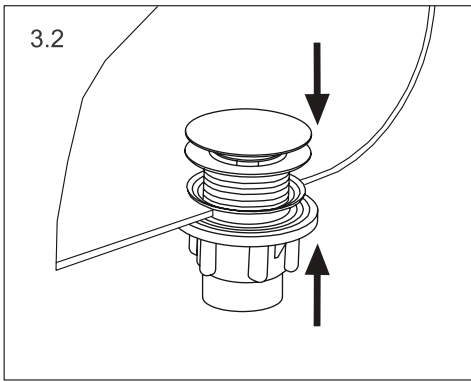


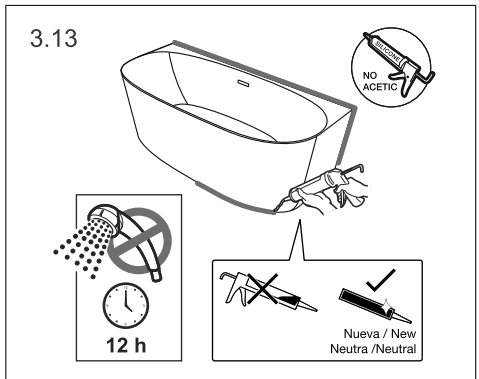
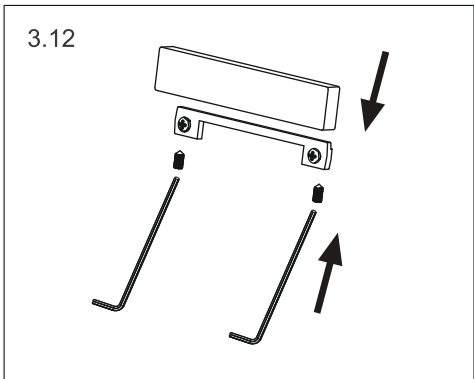
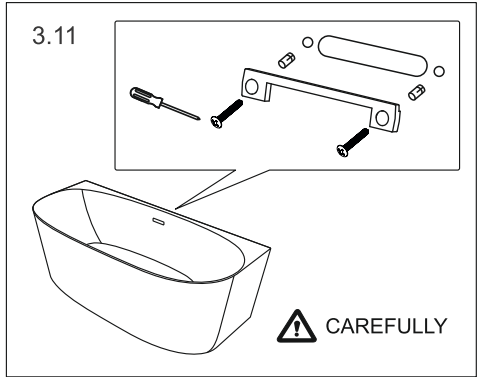
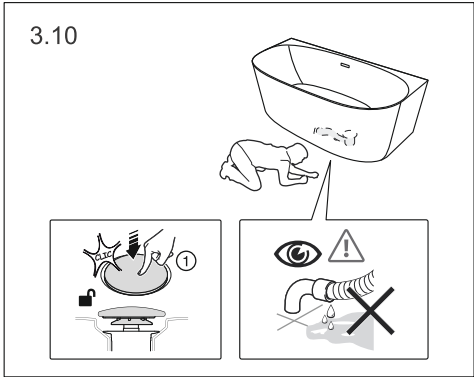
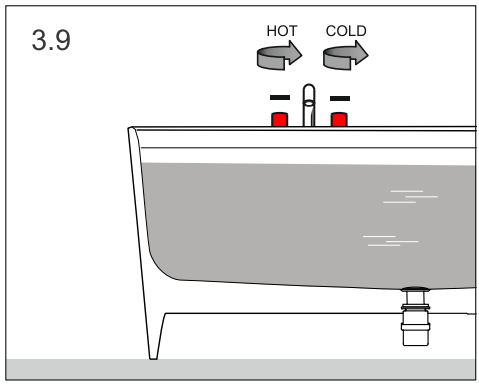
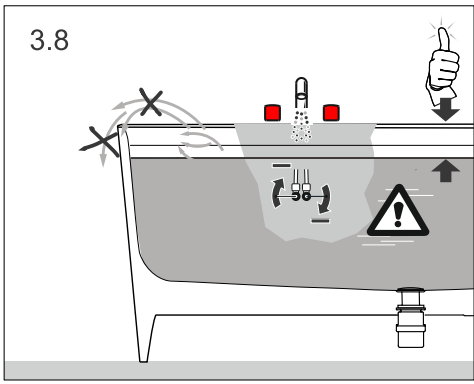
2.12



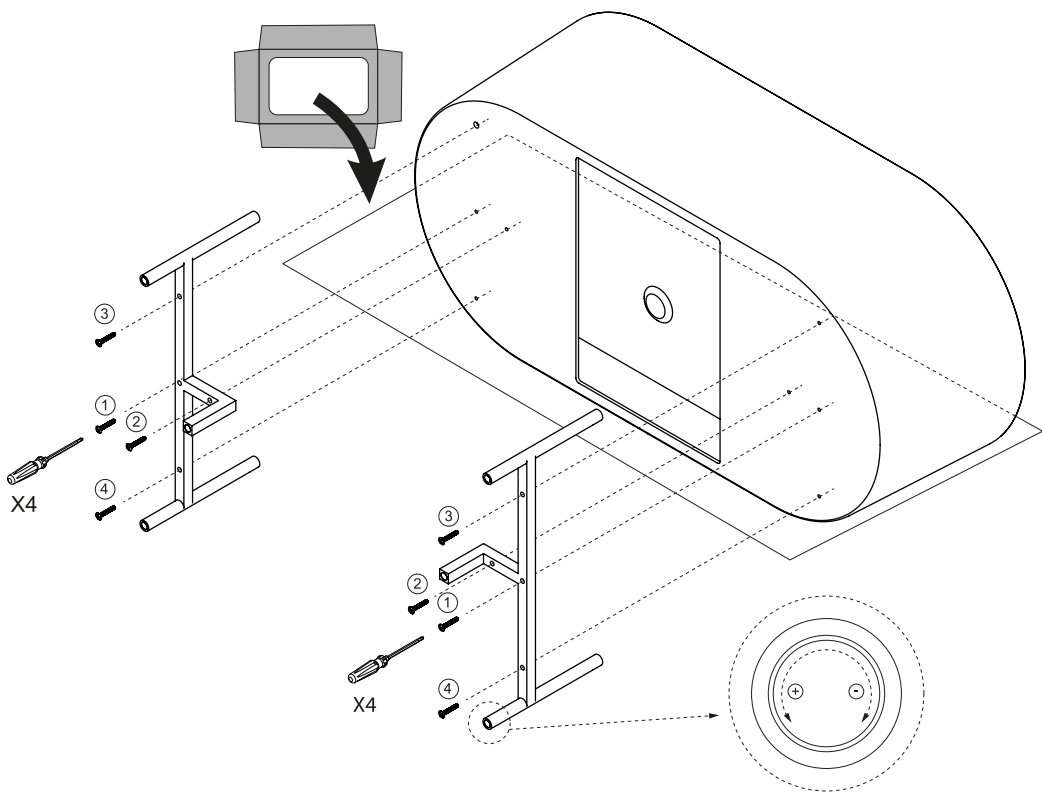
# 3











ADJUSTABLE LEG HEIGHT

# INSTRUCTION

Follow these rules when installing.  
If you have any questions, write to us  
and we will help!

wellsee

info@wellsee.pl  
wellsee.pl